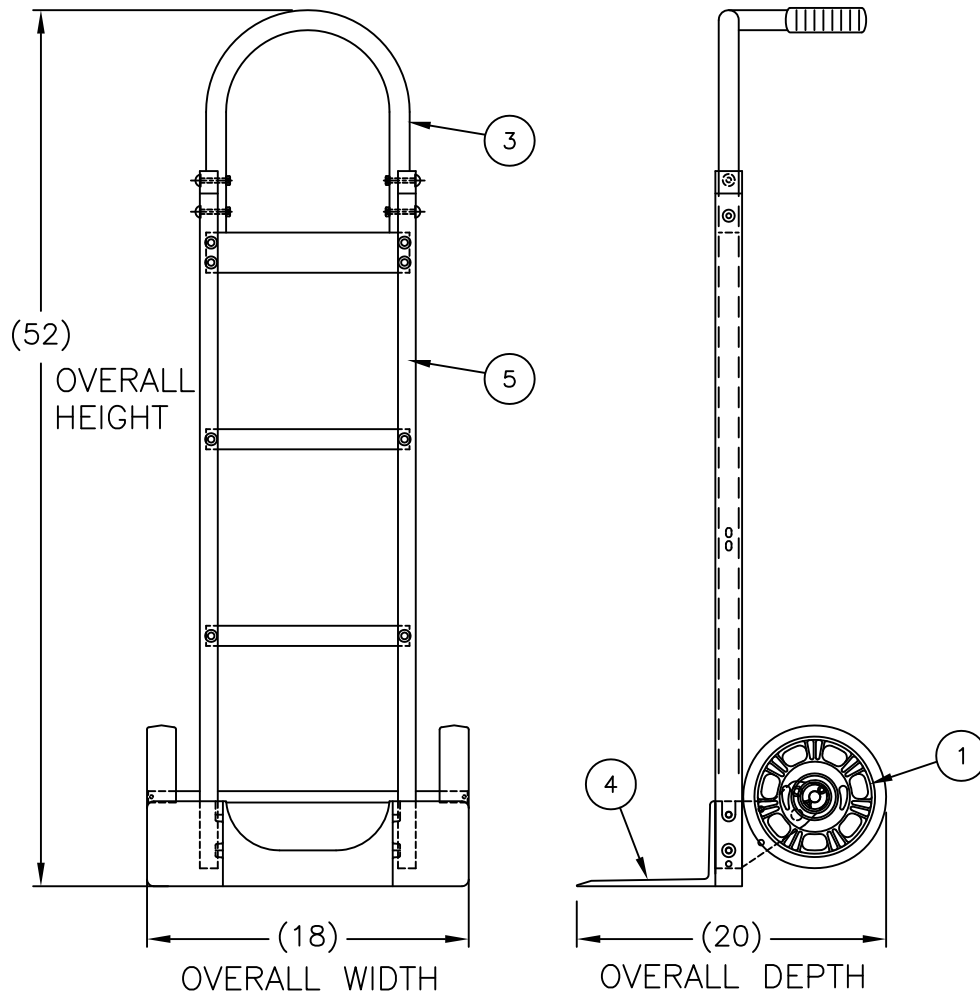


220393



REPLACEMENT PARTS LIST

ITEM	PART NO.	DESCRIPTION	QTY.
1	054048	KIT: WHEEL "R3" WESCO-LITE	1
* 2	108990	BOX: 40-1/2" X 13 X 10	1
3	151511	HANDLE: PIN	1
4	151533	NOSEPLATE (18")	1
5	153855	KIT: STRAIGHT FRAME #0	1

COBRA-LITE FEATURES:

- All aluminum construction.
 - Heavy duty cast 7.5" X 14" or 7.5" X 18" wide nose plate options.
 - Quality light weight truck at an economical price.
 - Ships KD and boxed or as components
 - Assembly option available.
 - All 2" wide cross braces for additional strength.
- Great for advertising label.

Series 420 Features:

- High back pin handle.
- Comfortable vinyl handle grip.
- 52" overall height.

P/N 220393

Model 420-T18-R3
 Weight 20.5 lbs
 Capacity 600 lbs
 Box No
 Wheel 8" x 1.625"
 Type Moldon Rubber
 Hub Aluminum Offset

THIS DRAWING IN ALL PARTICULARS IS WESCO MFR. CO. PROPERTY. ALL RIGHTS OF DESIGN, INVENTION OR USE OF ARE RESERVED.

PRINT ISSUED

APR 19, 2006

WESCO MANUFACTURING
ENGINEERING DEPARTMENT

REV.	ECN & DATE	APP	REVISED
B	02-06-13 UPDATED	RWS	
A	04-19-06 DRAWN INTO CAD UPDATED ROUTER	KL	

WESCO MANUFACTURING CO.		NORTH WALES		PENNA. 19454	
PART NAME		420-T18-R3 (COBRA-LITE)		DRAWN: SKH 4-21-93	
TOLERANCE UNLESS OTHERWISE SPECIFIED		3 PLACE DECIMAL		2 PLACE DECIMAL	
FRACTION		± 1/64		± .005	
ANGULAR ± 1-1/2"		SHEET 1 OF 1		SCALE: 7" = 1"	
B-220393		REV		B	

BREAK ALL SHARP EDGES AND REMOVE ALL BURRS