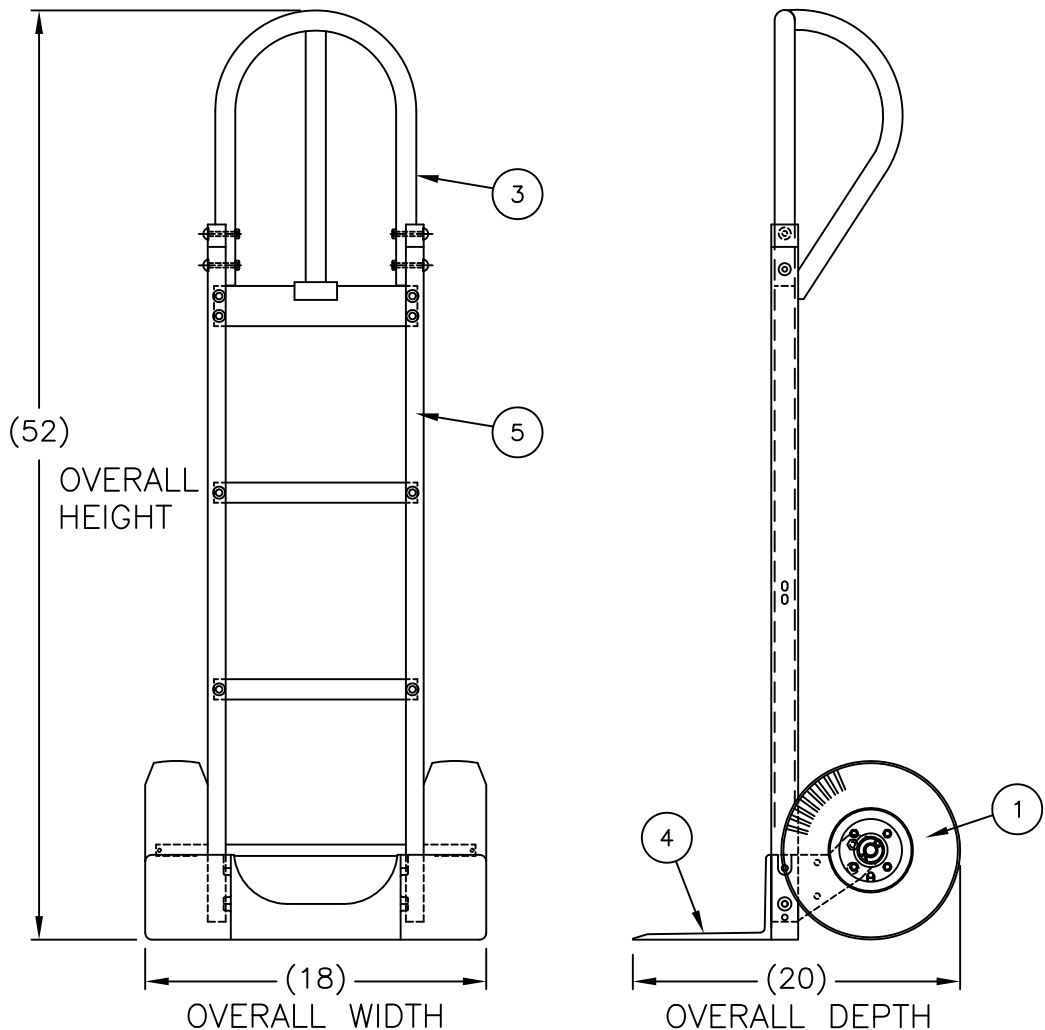


220391



| REPLACEMENT PARTS LIST | | | |
|------------------------|----------|---------------------------|------|
| ITEM | PART NO. | DESCRIPTION | QTY. |
| 1 | 054045 | KIT: WHEEL "P" WESCO-LITE | 1 |
| * 2 | 108990 | BOX: 40-1/2" X 13 X 10 | 1 |
| 3 | 151510 | HANDLE: "D" | 1 |
| 4 | 151533 | NOSEPLATE (18") | 1 |
| 5 | 153855 | KIT: STRAIGHT FRAME #0 | 1 |

COBRA-LITE FEATURES:

- All aluminum construction.
- Heavy duty cast 7.5" X 14" or 7.5" X 18" wide nose plate options.
- Quality light weight truck at an economical price.
- Ships KD and boxed or as components
- Assembly option available.
- All 2" wide cross braces for additional strength.
- Great for advertising label.

Series 470 Features:

- High back loop handle.
- 52" overall height.

P/N 220391

Model 470-T18-P
 Weight 24 lbs
 Capacity 600 lbs
 Box No
 Wheel 10" x 3.5"
 Type Pneumatic
 Hub Steel Offset

THIS DRAWING IN ALL PARTICULARS IS WESCO MFR. CO. PROPERTY. ALL RIGHTS OF DESIGN, INVENTION OR USE OF ARE RESERVED.

PRINT ISSUED
 APR 19, 2006
 WESCO MANUFACTURING
 ENGINEERING DEPARTMENT

| REV. | ECN & DATE | REVISIONS | APP | W | S |
|------|------------|----------------------------------|-----|---|---|
| B | 02-06-13 | UPDATED | | | |
| A | 04-19-06 | DRAWN INTO CAD UPDATED ROUTER | | | |

| WESCO MANUFACTURING CO. | | | |
|--|-----------------|----------------------|---|
| NORTH WALES | | PENNA. 19454 | |
| PART NAME | | DRAWN: SKH 4-21-93 | |
| 470-T18-P (COBRA-LITE) | | CHECKED: GRB 3-14-95 | |
| TOLERANCE UNLESS OTHERWISE SPECIFIED | | | |
| FRACTION | 3 PLACE DECIMAL | 2 PLACE DECIMAL | |
| ± 1/64 | ± .005 | ± .01 | |
| ANGULAR ± 1-1/2" | SHEET 1 OF 1 | SCALE: 7" = 1" | |
| B-220391 | | REV | B |
| BREAK ALL SHARP EDGES AND REMOVE ALL BURRS | | | |