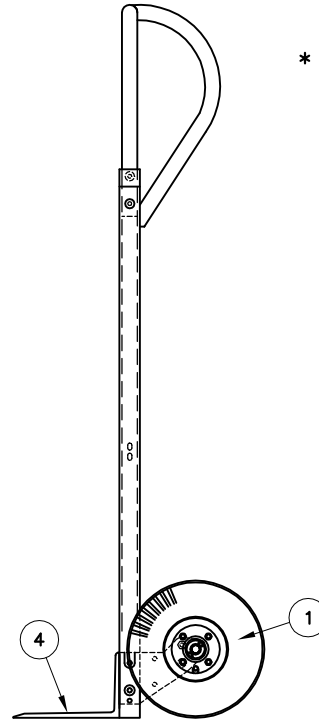
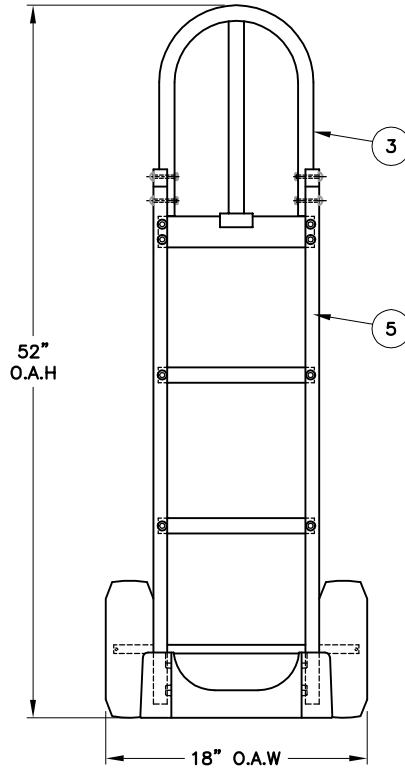


220378



BILL OF MATERIAL

ITEM	PART NO.	DESCRIPTION	QTY.
1	054231	KIT: WHEEL "PE" WESCO-LITE	1
2	108990	BOX: 40-1/2" X 13 X 10	1
3	151510	HANDLE: "D"	1
4	151521	NOSEPLATE (14")	1
5	153855	KIT: STRAIGHT FRAME #0	1

COBRA-LITE FEATURES:

- All aluminum construction.
 - Heavy duty cast 7.5" X 14" or 7.5" X 18" wide nose plate options.
 - Quality light weight truck at an economical price.
 - Ships KD and boxed or as components
 - Capacity: 600 lbs.
 - Assembly option available.
 - All 2" wide cross braces for additional strength.
- Great for advertising label.

Series 470 Features:

- High back LOOP handle.
- 52" overall height.

CAPACITY: 600 LBS.

WEIGHT: 21.5 LBS.

BOX: YES ___ NO

THIS DRAWING IN ALL PARTICULARS IS WESCO MFG. CO. PROPERTY. ALL RIGHTS OF DESIGN, INVENTION OR USE OF ARE RESERVED.

WESCO MANUFACTURING CO.
 LANSDALE PENNA. 19446

REV. APP. DATE REVISIONS

PART NAME		DRAWN: SKH 4-21-93	
470-T14-PE (COBRA-LITE)		CHECKED: GRB 3-14-95	
TOLERANCE UNLESS OTHERWISE SPECIFIED		APP. ENGR.	
FRACTION	3 PLACE DECIMAL	2 PLACE DECIMAL	SCALE: 7" = 1"
± 1/64	± .008	± .01	
ANGULAR ± 1-1/2°	SHEET 1 OF 1		B-220378
BREAK ALL SHARP EDGES AND REMOVE ALL BURRS			REV