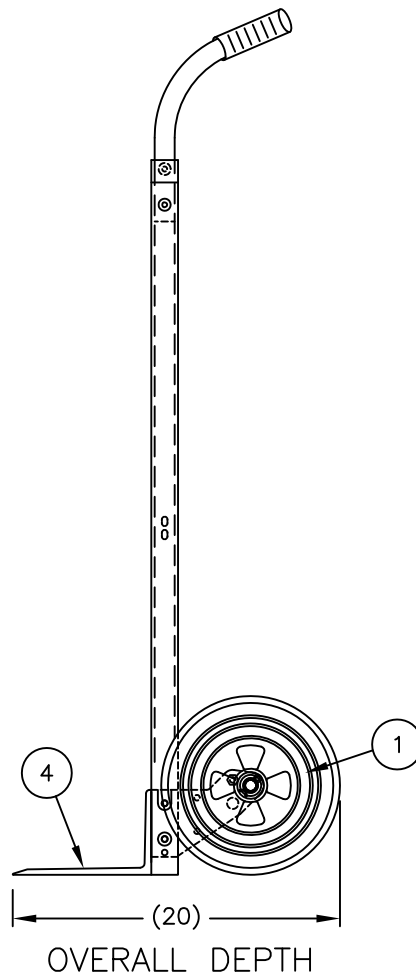
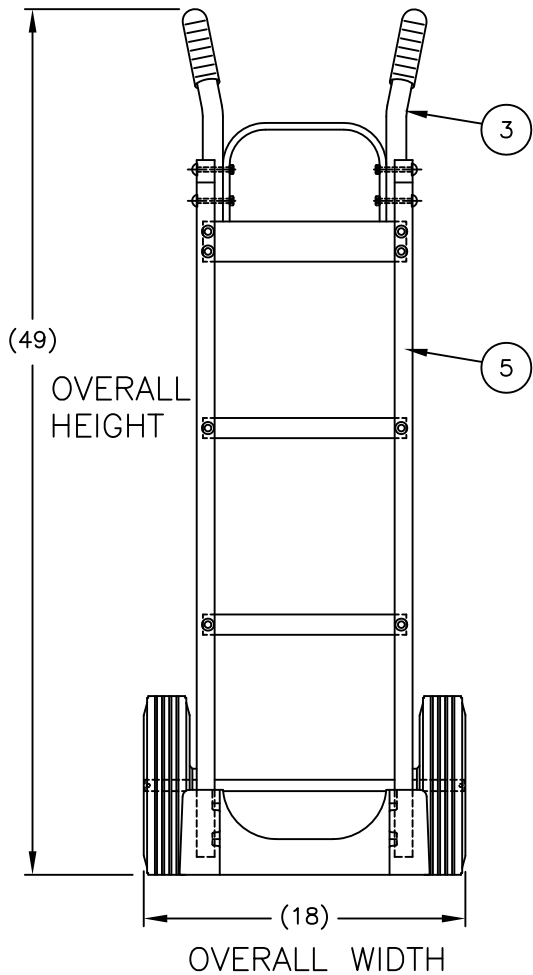


220372



REPLACEMENT PARTS LIST

ITEM	PART NO.	DESCRIPTION	QTY.
1	054230	KIT: WHEEL "Z2" WESCO-LITE	1
2	108990	BOX: 40-1/2" X 13 X 10	1
3	151525	HANDLE: TWIN	1
4	151521	NOSEPLATE (14")	1
5	153855	KIT: STRAIGHT FRAME #0	1

COBRA-LITE FEATURES:

- All aluminum construction.
- Heavy duty cast 7.5" X 14" or 7.5" X 18" wide nose plate options.
- Quality light weight truck at an economical price.
- Ships KD and boxed or as components
- Assembly option available.
- All 2" wide cross braces for additional strength.
- Great for advertising label.

Series 450 Features:

- Twin handle style with vinyl grips.
- 49" overall height.

P/N 220372

Model 450-T14-Z2  
 Weight 26.5 lbs  
 Capacity 600 lbs  
 Box No  
 Wheel 10" x 2.75"  
 Type Solid Rubber  
 Hub Poly Offset

THIS DRAWING IN ALL PARTICULARS IS WESCO MFG. CO. PROPERTY. ALL RIGHTS OF DESIGN, INVENTION OR USE OF ARE RESERVED.

PRINT ISSUED

APR 19, 2006

WESCO MANUFACTURING  
ENGINEERING DEPARTMENT

REV.	REV. & DATE	APP
B	02-06-13 UPDATED	R W S
A	04-19-06 DRAWN INTO CAD UPDATED ROUTER	KL

**WESCO MANUFACTURING CO.**  
NORTH WALES PENNA. 19454

PART NAME: 450-T14-Z2 (COBRA-LITE)

DRAWN: SKH 4-21-93  
CHECKED: GRB 3-14-95

TOLERANCE UNLESS OTHERWISE SPECIFIED

FRACTION	3 PLACE DECIMAL	2 PLACE DECIMAL
± 1/64	± .005	± .01

ANGULAR ± 1-1/2" SHEET 1 OF 1

BREAK ALL SHARP EDGES AND REMOVE ALL BURRS

SCALE: 7" = 1"

B-220372 REV B