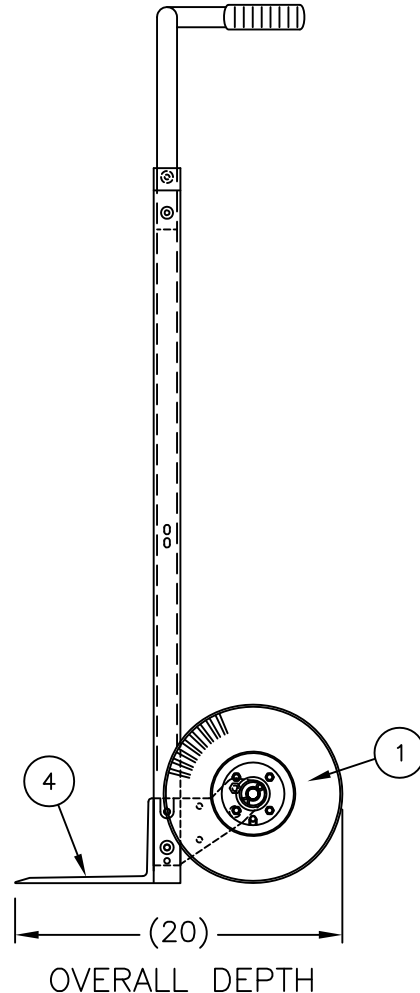
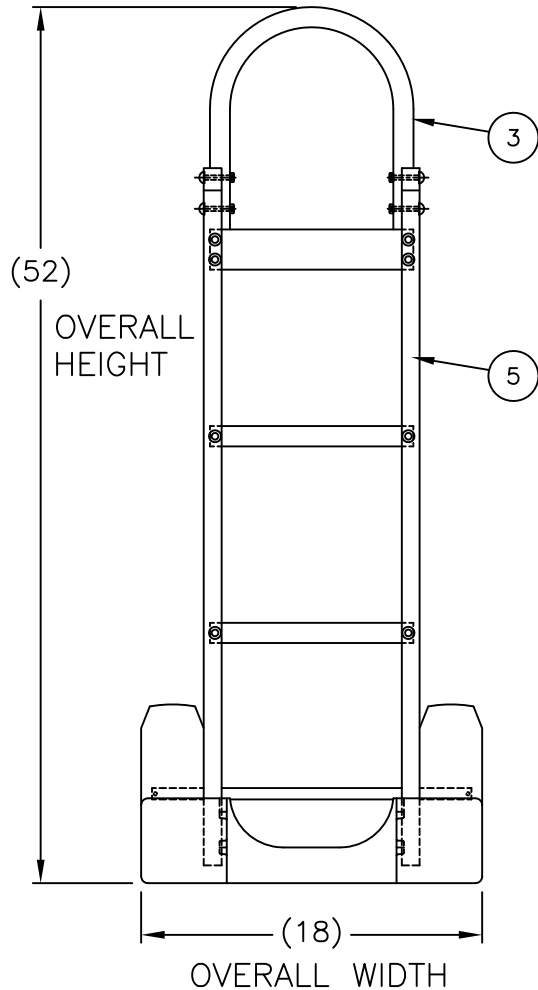


220366



REPLACEMENT PARTS LIST

ITEM	PART NO.	DESCRIPTION	QTY.
1	054231	KIT: WHEEL "PE" WESCO-LITE	1
* 2	108990	BOX: 40-1/2" X 13 X 10	1
3	151511	HANDLE: PIN	1
4	151533	NOSEPLATE (18")	1
5	153855	KIT: STRAIGHT FRAME #0	1

COBRA-LITE FEATURES:

- All aluminum construction.
- Heavy duty cast 7.5" X 14" or 7.5" X 18" wide nose plate options.
- Quality light weight truck at an economical price.
- Ships KD and boxed or as components
- Assembly option available.
- All 2" wide cross braces for additional strength. Great for advertising label.

Series 420 Features:

- High back pin handle.
- Comfortable vinyl handle grip.
- 52" overall height.

P/N 220366

Model 420-T18-PE
 Weight 22 lbs
 Capacity 600 lbs
 Box No
 Wheel 10" x 3.5"
 Type Pneumatic
 Hub Steel Offset

THIS DRAWING IN ALL PARTICULARS IS WESCO MFR. CO. PROPERTY. ALL RIGHTS OF DESIGN, INVENTION OR USE OF ARE RESERVED.

PRINT ISSUED

APR 19, 2006

WESCO MANUFACTURING
ENGINEERING DEPARTMENT

REV.	ECN & DATE	REVISIONS
B	02-06-13	UPDATED
A	04-19-06	DRAWN INTO CAD KL UPDATED ROUTER

WESCO MANUFACTURING CO.	
NORTH WALES	PENNA. 19454
PART NAME	420-T18-PE (COBRA-LITE)
DRAWN:	SKH 4-21-93
CHECKED:	GRB 3-14-95
TOLERANCE UNLESS OTHERWISE SPECIFIED	
FRACTION	3 PLACE DECIMAL 2 PLACE DECIMAL
± 1/64	± .005 ± .01
ANGULAR ± 1-1/2'	SHEET 1 OF 1
BREAK ALL SHARP EDGES AND REMOVE ALL BURRS	
APP. ENGR.	SCALE: 7" = 1"
B-220366	REV B