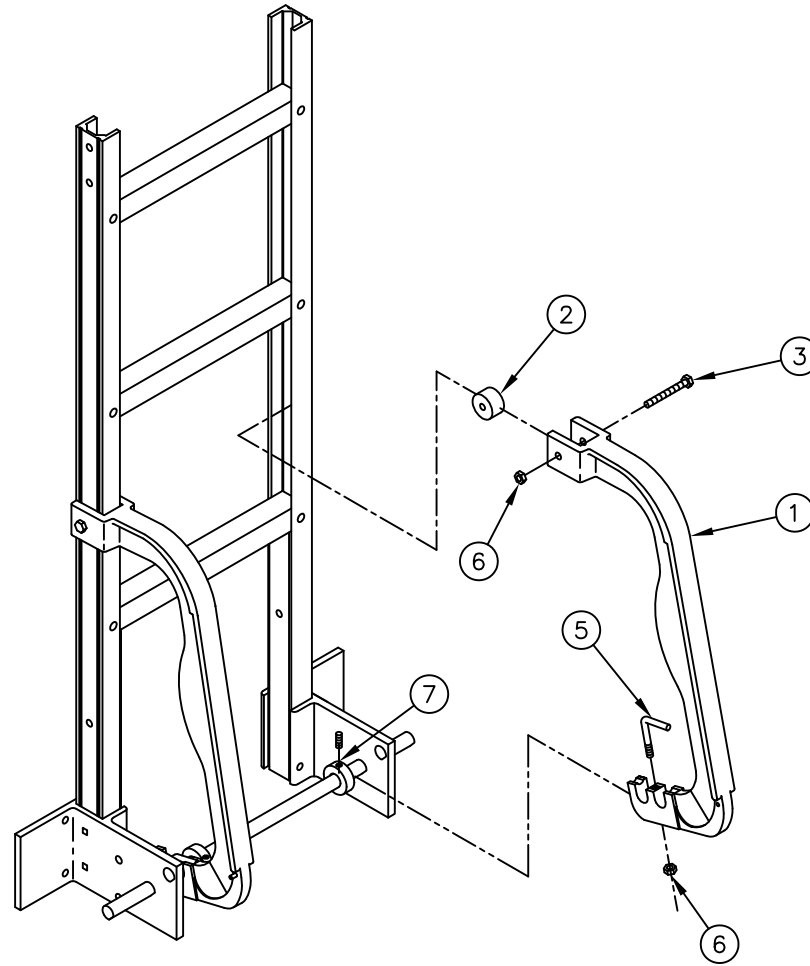


220349



REPLACEMENT PARTS LIST

ITEM	PART NO.	DESCRIPTION	QTY.
1	120944	STAIRCLIMBER	2
2	050168	SPACER	2
3	108191	BOLT: CARR. 1/4-20 X 2"	2
4		-NOT USED-	
(C) 5	050228	BOLT: 1/4-20 X 2"	2
(B) 6	108929	1/4-20 HEX LOCKNUT	4
7	150960	5/8 SHAFT COLLAR	2

STAIRGLIDE FOR COBRA-LITE

- Cast aluminum stair glide
- Field installed.
- Stair glides without wearstrips.

P/N 220349

Model S2K
Weight 6 lbs

THIS DRAWING IN ALL PARTICULARS IS WESCO MFRG. CO. PROPERTY. ALL RIGHTS OF DESIGN, INVENTION OR USE OF ARE RESERVED.

PRINT ISSUED

APR 04, 2005

WESCO MANUFACTURING
ENGINEERING DEPARTMENT

REV.	EDN & DATE	REVISIONS	APP
C	02-26-13	NOTES UPDATED	RWS
C	5392 04-04-05	050228 WAS 108887	KL
B	5087 06-12-03	108929 WAS 100649	BF
A	4199 4-7-00	UPDATED DOCUMENTATION	KL
/	173-95 8-7-95	RELEASED	DAS

WESCO MANUFACTURING CO.		PENNA. 19454	
PART NAME		DRAWN: DAS 8-4-95	
SGL (STAIRGLIDE) (MIGHTY-LITE)		CHECKED: PS 8-7-95	
TOLERANCE UNLESS OTHERWISE SPECIFIED			
FRACTION		3 PLACE DECIMAL	
± 1/64		± .005	
ANGULAR ± 1-1/2'		SHEET 1 OF 1	
BREAK ALL SHARP EDGES AND REMOVE ALL BURRS		SCALE: 6" = 1"	
B- 220349		REV	C