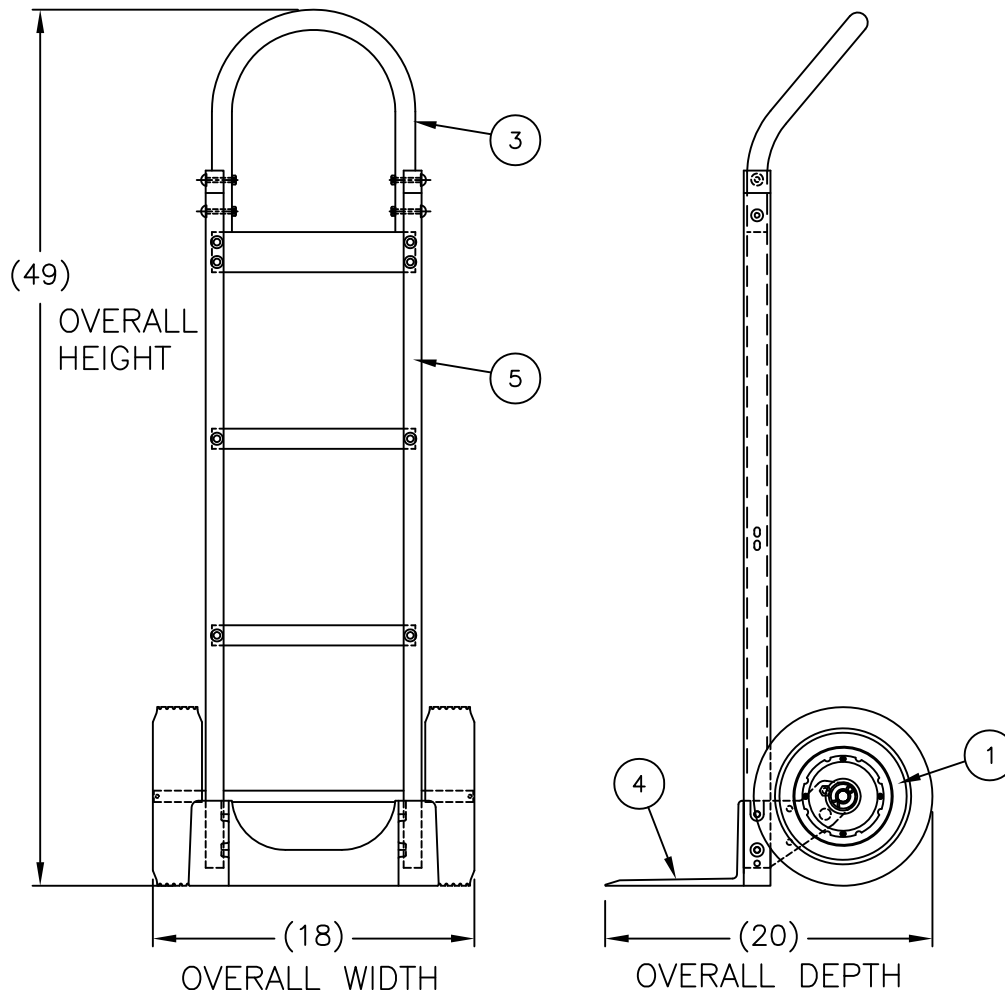


220321



REPLACEMENT PARTS LIST

ITEM	PART NO.	DESCRIPTION	QTY.
1	054047	KIT: WHEEL "Z" WESCO-LITE	1
2	108990	BOX: 40-1/2" X 13 X 10	1
3	151512	HANDLE: CONTINUOUS	1
4	151521	NOSEPLATE (14")	1
5	153855	KIT: STRAIGHT FRAME #0	1

COBRA-LITE FEATURES:

- All aluminum construction.
- Heavy duty cast 7.5" X 14" or 7.5" X 18" wide nose plate options.
- Quality light weight truck at an economical price.
- Ships KD and boxed or as components
- Capacity: 600 lbs.
- Assembly option available.
- All 2" wide cross braces for additional strength.
- Great for advertising label.

Series 410 Features:

- Continuous handle.
- 49" overall height.
- Most popular model.
- Available with vinyl dipped handle.

P/N 220321

Model 410-T14-Z
 Weight 27.5 lbs
 Capacity 600 lbs
 Box No
 Wheel 10" x 2.75"
 Type Semi-Pneumatic
 Hub Steel Offset

THIS DRAWING IN ALL PARTICULARS IS WESCO MFRG. CO. PROPERTY. ALL RIGHTS OF DESIGN, INVENTION OR USE OF ARE RESERVED.

REV.	REV. DATE	APP.	REVISIONS	ECN	DATE	APP.
B	02-05-13	UPDATED				
WESCO MANUFACTURING CO.						
NORTH WALES			PENNA. 19454			
PART NAME				DRAWN: SKH 4-21-93		
410-T14-Z				CHECKED: GRB 3-14-95		
(COBRA-LITE)				APP. ENGR.		
TOLERANCE UNLESS OTHERWISE SPECIFIED						
FRACTION		3 PLACE DECIMAL		2 PLACE DECIMAL		SCALE: 7" = 1"
± 1/64		± .005		± .01		
ANGULAR ± 1-1/2'		SHEET 1 OF 1		B-220321		REV B
BREAK ALL SHARP EDGES AND REMOVE ALL BURRS						