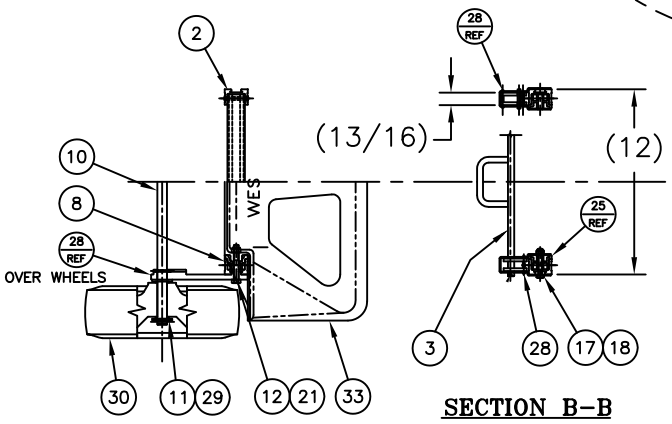
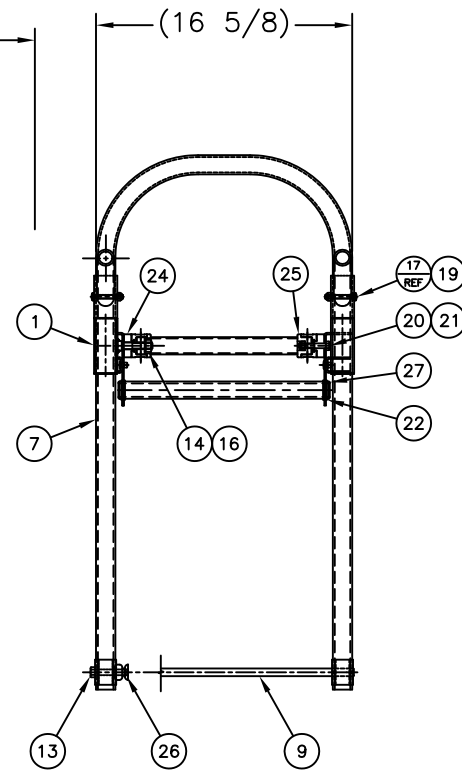
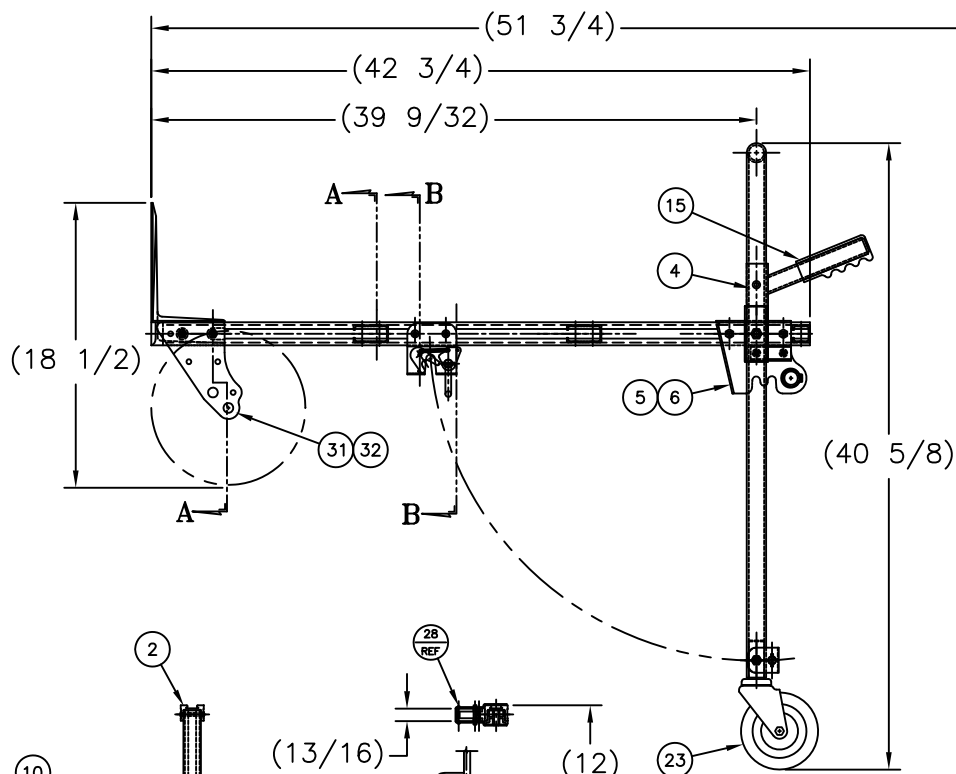


OVERALL HEIGHT WITH HANDLE FOLDED



SECTION A-A

SECTION B-B

REPLACEMENT PARTS LIST			
ITEM	PART NO.	DESCRIPTION	QTY.
1	055105	PIVOT SOCKET WELDMENT	2
2	055113	FRAME ASSEMBLY	1
3	055094	LATCH HANDLE	1
4	055122	PIN HANDLE WELDMENT	2
5	055125	R.H. BRACKET ASS'Y	1
6	055126	L.H. BRACKET ASS'Y	1
7	055121	HANDLE	1
8	055127	FILLER CHANNEL	2
9	055099	SPREADER BAR	1
10	050229	AXLE (18 1/4)	1
11	100051	FLAT WASH.,5/8 SAE PLT	4
12	108168	5/16-18 X 2 1/4 HHCS	4
13	108152	3/8-16 X 2" HHCS	2
14	108366	FLAT WASH.7/16 SAE PLT	4
15	108949	HANDGRIP (RED) 1 1/8	2
16	108916	7/16-14 NUT, 2-WAY	2
17	108929	1/4-20 NUT, NYLOCK	6
18	108932	1/4-20 X 1 3/4 PHPS	4
19	108933	1/4-20 X 1 7/8 PHPS	2
20	108934	5/16-18 X 1 3/4 HHCS	4
21	108132	LOCKNUT 5/16-18	8
22	108937	1 1/8 RET.RING, BOWED	4
23	108979	CASTER (5" X 1 1/4)	2
24	108980	MOLDED SPACER	2
25	108981	MOLDED CLAMP	2
26	109019	LOAD END CAP	4
27	108984	UPPER HANDLE	1
28	109644	SPG.PIN ø1/8 X 1 1/8	2
29	108219	COTTER PIN (ø.148)	2
30	150698	WHEEL: "Z2" 10X2-3/4	2
31	151508	R.H. AXLE BOX	1
32	151509	L.H. AXLE BOX	1
33	151533	NOSEPLATE (18")	1

Features for Cobra Jr. and Sr.

- 18" wide noseplate for large loads.
- Smooth and easy transition from the 2 to 4 wheeled position.
- Non-marking 5" x 1.25" swivel casters.
- 8 rivets per cross brace.
- Custom advertising side strips available-contact dealer for details.
- 2" wide cross braces for added strength and advertising labels.

Cobra Jr. Features:

- Dual hand grips for improved control.
- 3 frame cross braces.
- 12" x 38" frame bed.

P/N 220297

Model CBR-JR-T18-Z2
 Capacity 2 wheel 600 lbs.
 Capacity 4 wheel 1,200 lbs.
 Approximate Weight 42.5 lbs.
 Overall Height 51.75"
 Frame bed 12" x 38"
 Boxed No

THIS DRAWING IS ALL PARTICULARS IS WESCO SPIN, CO. PROPERTY. ALL RIGHTS OF DESIGN, INVENTION OR USE OF ARE RESERVED.

WESCO MANUFACTURING CO.		PENNA. 19454	
NORTH WALES			
PART NAME	CBR-JR-T18-Z2	DESIGN	P. SPENCER
FINAL ASS'Y ALUM. 2-N-1		DATE	07-30-96
PRODUCTION	3 PLACE SERIAL	3 PLACE SERIAL	3 PLACE SERIAL
SCALE	1/4	SCALE	1/4
D-220297			1 OF 1