

OVERALL HEIGHT WITH HANDLE FOLDED

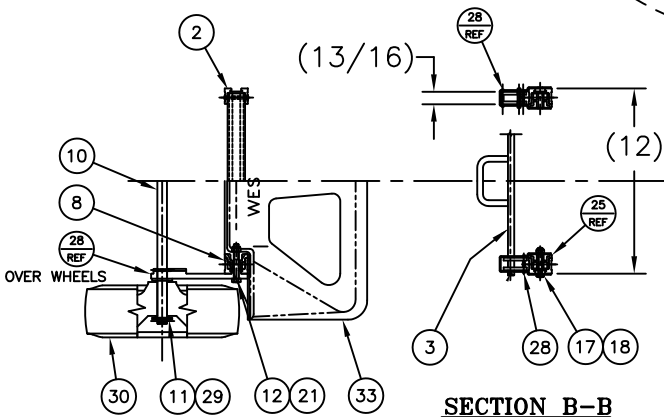
(51 3/4)

(42 3/4)

(39 9/32)

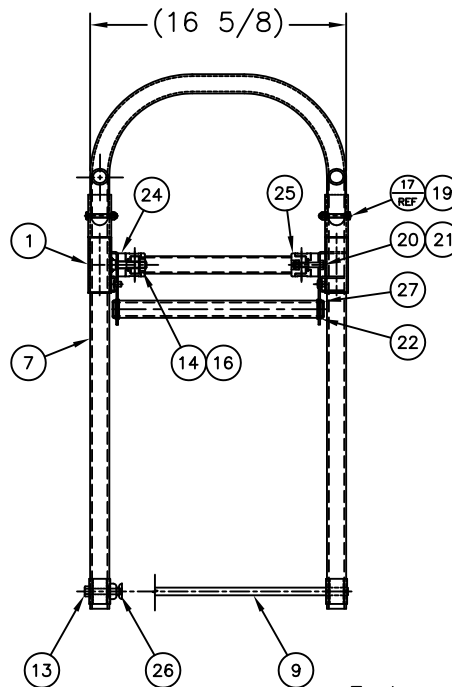
(18 1/2)

(40 5/8)



SECTION A-A

SECTION B-B



REPLACEMENT PARTS LIST				
ITEM	PART NO.	DESCRIPTION	QTY.	
1	055105	PIVOT SOCKET WELDMNT	2	
2	055113	FRAME ASSEMBLY	1	
3	055094	LATCH HANDLE	1	
4	055122	PIN HANDLE WELDMNT	2	
5	055125	R.H. BRACKET ASS'Y	1	
6	055126	L.H. BRACKET ASS'Y	1	
7	055121	HANDLE	1	
8	055127	FILLER CHANNEL	2	
9	055099	SPREADER BAR	1	
10	050229	AXLE (18 1/4)	1	
11	100051	FLAT WASH.,5/8 SAE PLT	4	
12	108168	5/16-18 X 2 1/4 HHCS	4	
13	108152	3/8-16 X 2" HHCS	2	
14	108366	FLAT WASH.7/16 SAE PLT	4	
15	108949	HANDGRIP (RED) 1 1/8	2	
16	108916	7/16-14 NUT, 2-WAY	2	
17	108929	1/4-20 NUT, NYLOCK	6	
18	108932	1/4-20 X 1 3/4 PHPS	4	
19	108933	1/4-20 X 1 7/8 PHPS	2	
20	108934	5/16-18 X 1 3/4 HHCS	4	
21	108132	LOCKNUT 5/16 - 18	8	
22	108937	1 1/8 RET.RING, BOWED	4	
23	108979	CASTER (5" X 1 1/4)	2	
24	108980	MOLDED SPACER	2	
25	108981	MOLDED CLAMP	4	
26	109019	LOAD END CAP	2	
27	108984	UPPER HANDLE	1	
28	109644	SPG.PIN ø1/8 X 1 1/8	2	
29	108219	COTTER PIN (ø.148)	2	
30	151507	WHEEL: "PWT" 10 X 3.50"	2	
31	151508	R.H. AXLE BOX	1	
32	151509	L.H. AXLE BOX	1	
33	151533	NOSEPLATE (18")	1	

P/N

220293

Model
Capacity 2 wheel
Capacity 4 wheel
Approximate Weight
Overall Height
Frame bed
Boxed

CBR-JR-T18-PWT
600 lbs.
1,200 lbs.
39 lbs.
51.75"
12" x 38"
No

Features for Cobra Jr. and Sr.

- 18" wide noseplate for large loads.
- Smooth and easy transition from the 2 to 4 wheeled position.
- Non-marking 5" x 1.25" swivel casters.
- 8 rivets per cross brace. Welded release pedal.
- Custom advertising side strips available-contact dealer for details.
- 2" wide cross braces for added strength and advertising labels.

Cobra Jr. Features:

- Dual hand grips for improved control.
- 3 frame cross braces.
- 12" x 38" frame bed.

THIS DRAWING IS ALL PORTUGAL AND WESCO SPIN, CO. PROPERTY. ALL RIGHTS OF DESIGN, INVENTION OR USE OF ARE RESERVED.

02-08-93 UNREVISED NOTES IN (1) OF 1	WESCO MANUFACTURING CO. NORTH WALES, PENNSA. 19454	PART NAME CBR-JR-T18-PWT	DRAWN P. SPENCER
	FINAL ASSY ALUM. 2-N-1	DATE 07-30-96	CHECKED _____
PRODUCTION 3 PLACE DECIMAL 5/16"	3 PLACE DECIMAL 5/16"	SCALE 1/4 SCALE	D-220293