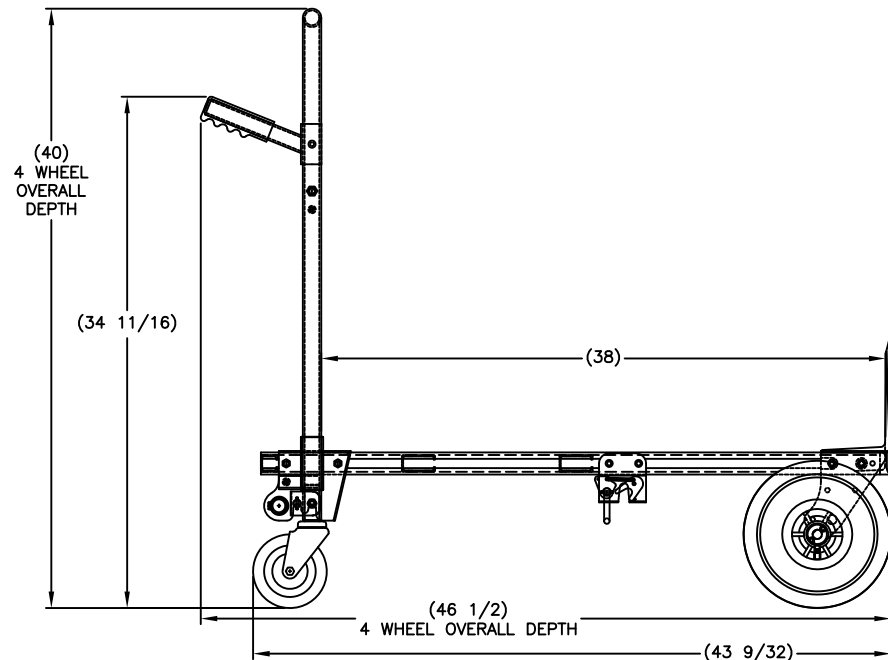
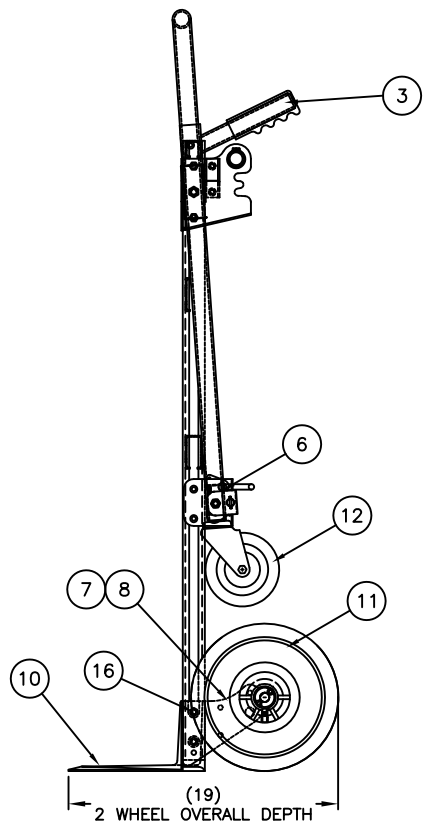
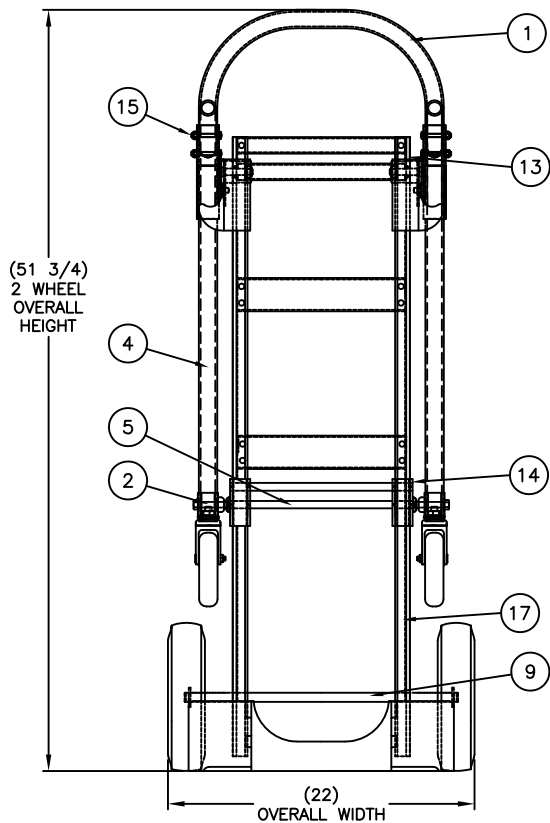


P/N 219998
 Model SPRTN-JR-T18-SR
 Overall width: 22"
 Overall height: 52"
 Overall depth: 19"
 Capacity 2 wheel: 500 lbs
 Capacity 4 wheel: 1,000 lbs
 Frame bed: 12" x 38"
 Wheel: 10" Solid Rubber
 Caster: 5"
 Weight: 50 lbs

Spartan Economy 2 in 1 Truck

- Value-priced truck.
- Sturdy, light weight aluminum frame.
- 18" wide noseplate for large loads.
- Extra strength noseplate cast from special aluminum alloy.
- Non-marking 5" x 1.25" swivel casters.
- Pedal release allows easy conversion from 2-wheel to 4-wheel position.

REPLACEMENT PARTS LIST			
ITEM	PART NO.	DESCRIPTION	QTY.
1	151575	HANDLE: SPARTAN JR	1
2	151571	SWIVEL HANDLE	2
3	151562	HANDLE: PIN W/ GRIP	2
4	151572	HANDLE: UPPER ASS'Y W/ BRACKET	1
5	151584	ASSEMBLY: SPREADER BAR	1
6	151568	RELEASE MECHANISM	1
7	151508	BOX: AXLE RH	1
8	151509	BOX: AXLE LH	1
9	151564	AXLE	1
10	151527	NOSEPLATE	1
11	108479	WHEEL: "SR" SOLID RUBBER	2
12	151561	CASTER	2
13	151573	SPACER	2
14	151574	BLOCK	4
15	151563	KIT: HARDWARE FOR HANDLE/AXLE	1
16	220311	KIT: HARDWARE FOR CASTER	2
17	055127	CHANNEL FILLER	2



THIS DRAWING IS IN ALL PARTICULARS IS RESISTO MEXEL CO. PROPERTY. ALL RIGHTS OF DESIGN, INVENTION OR USE OF ARE RESERVED.

WESCO MANUFACTURING CO. NORTH WALES, PENNSA. 19454		PART NAME: SPTN-JR-T18-SR	DRAWING: RWS 01-24-14
		CHECKED:	APP. ENGR:
TOLERANCES UNLESS OTHERWISE SPECIFIED		FINISH:	SCALE:
1/16"	3/32"	1/8"	1/8"
SHEET 1 OF 1		D-219998	