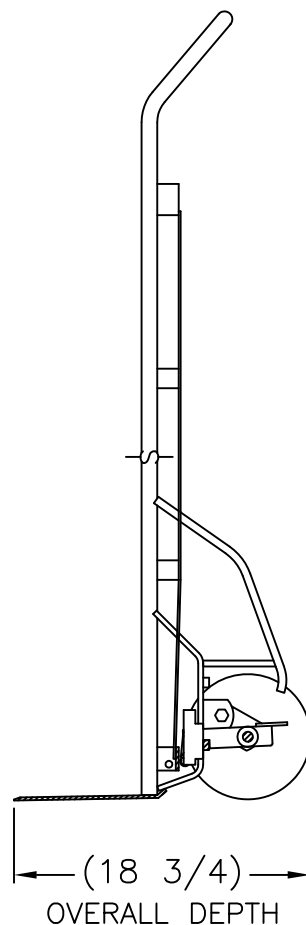
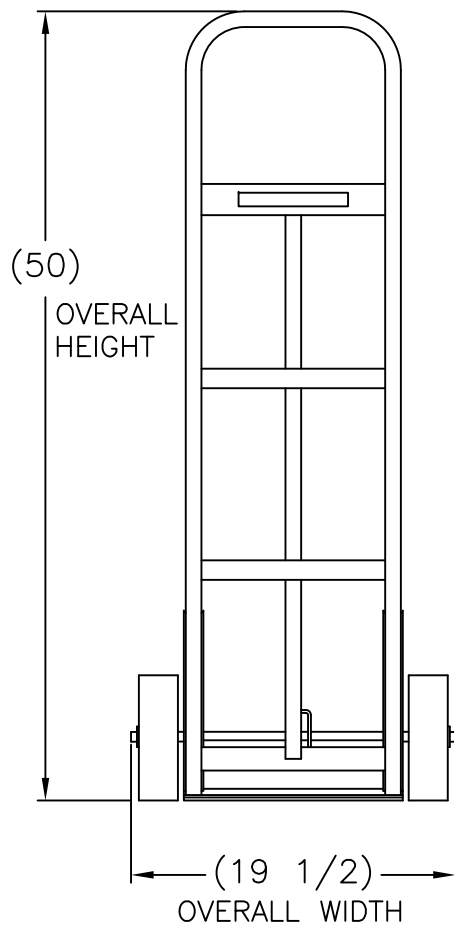


210545



REPLACEMENT PARTS LIST

ITEM	PART NO.	DESCRIPTION	QTY.
1	150697	WHEEL: "Z8" (ø8 X 2")	2
2	054401	WELDMNT: AXLE (TNT)	1
	050057	AXLE: 5/8" X 19-1/2"	1
3	054476	LINK PIVOT BUSHING	2
4	108316	EXTENSION SPRING	1

P/N 210545

Model TNT56-Z8
 Weight 40 lbs
 Capacity 500 lbs
 Box NO
 Wheel 8" x 2"
 Type Solid Rubber
 Hub Poly Offset

- TNT56 Touch-N-Tilt Series
- Popular continuous handle design.
- Simple & Affordable.
- Available with 8" or 10" wheels.
- Made in USA
- Same strong frames used on Wesco 100 series

THIS DRAWING IN ALL PARTICULARS IS WESCO MFG. CO. PROPERTY. ALL RIGHTS OF DESIGN, INVENTION OR USE OF ARE RESERVED.

PRINT ISSUED

JUN 28 2007

WESCO MANUFACTURING
ENGINEERING DEPARTMENT

R W S APP
 01-28-13
 B UPDATED
 B

REV. EGN & DATE APP

WESCO MANUFACTURING CO.			PENNA. 19454	
PART NAME			DRAWN:	
TNT56-Z8			CHECKED:	
TOLERANCE UNLESS OTHERWISE SPECIFIED			APP. ENGR.	
FRACTION	3 PLACE DECIMAL	2 PLACE DECIMAL	SCALE: 8" = 1"	
± 1/64	± .005	± .01	B- 210545	
ANGULAR ± 1-1/2"	SHEET 1 OF 1	REV B		
BREAK ALL SHARP EDGES AND REMOVE ALL BURRS				