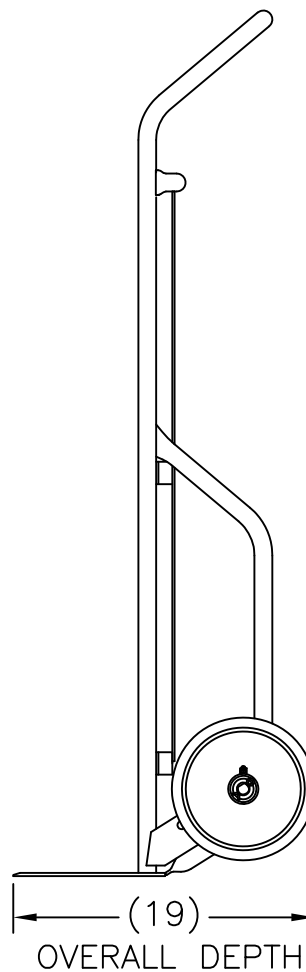
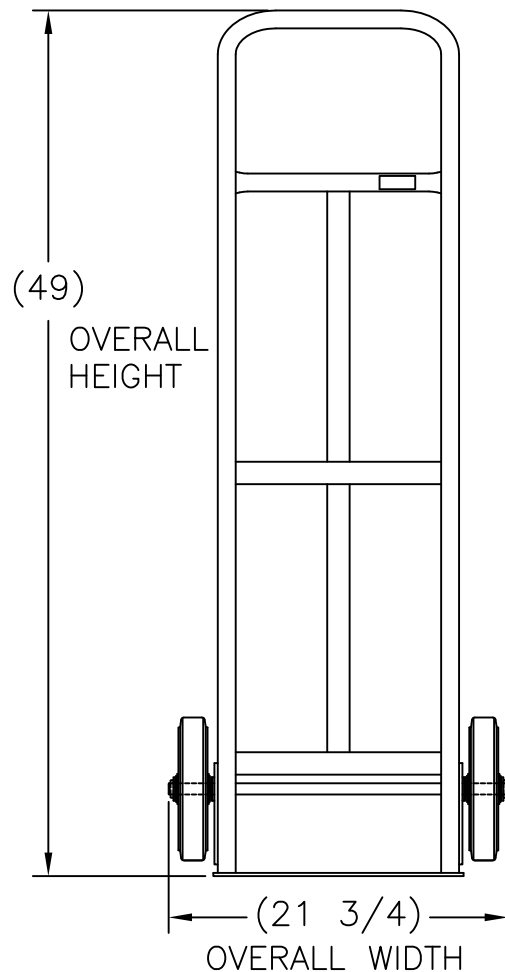


210470



REPLACEMENT PARTS LIST

ITEM	PART NO.	DESCRIPTION	QTY.
1	108545	WHEEL "R" (8 ϕ X 1-5/8")	2
2	053528	AXLE "D" (19")	1

FOLDING NOSE EXT'N OPTION

ITEM	PART NO.	DESCRIPTION	QTY.
	210249	FNG-24K, FOLDING NOSE EXT'N	1
	050045	PIVOT ROD (FN-24)	1
	108232	RETAINING HOOK (FN-24)	1

GREENLINE STANDARD DUTY STEEL HANDTRUCKS
656 Greenline Series

- Continuous handle w/curved back design.
- Welded frame construction.
- 1" OD x 14ga wall tubular frame
- Economically priced.
- Green enamel finish.
- Zinc plated auto-loc axles assure smooth wheel rotation.
- 8" or 10" wheel on all frames
- 7" deep x 14" wide 7ga noseplate w/ radiused corners.

P/N 210470

Model 656-R
 Weight 27.5 lbs
 Capacity 600 lbs
 Box NO
 Wheel 8" x 1.625"
 Type Moldon Rubber
 Hub Aluminium

THIS DRAWING IN ALL PARTICULARS IS WESCO MFRG. CO. PROPERTY. ALL RIGHTS OF DESIGN, INVENTION OR USE OF ARE RESERVED.

PRINT ISSUED

JUN 27 2007

WESCO MANUFACTURING
ENGINEERING DEPARTMENT

REV.	ECN & DATE	REVISIONS
A	01-24-13	UPDATED

WESCO MANUFACTURING CO.
 NORTH WALES PENNA. 19454

PART NAME	DRAWN:
656-R	KL 03-09-06
CHECKED:	
APP. ENGR.	
SCALE: 7" = 1"	
B- 210470	REV A

TOLERANCE UNLESS OTHERWISE SPECIFIED

FRACTION 3 PLACE DECIMAL 2 PLACE DECIMAL

 $\pm 1/64$ $\pm .005$ $\pm .01$ ANGULAR $\pm 1-1/2'$ SHEET 1 OF 1

BREAK ALL SHARP EDGES AND REMOVE ALL BURRS