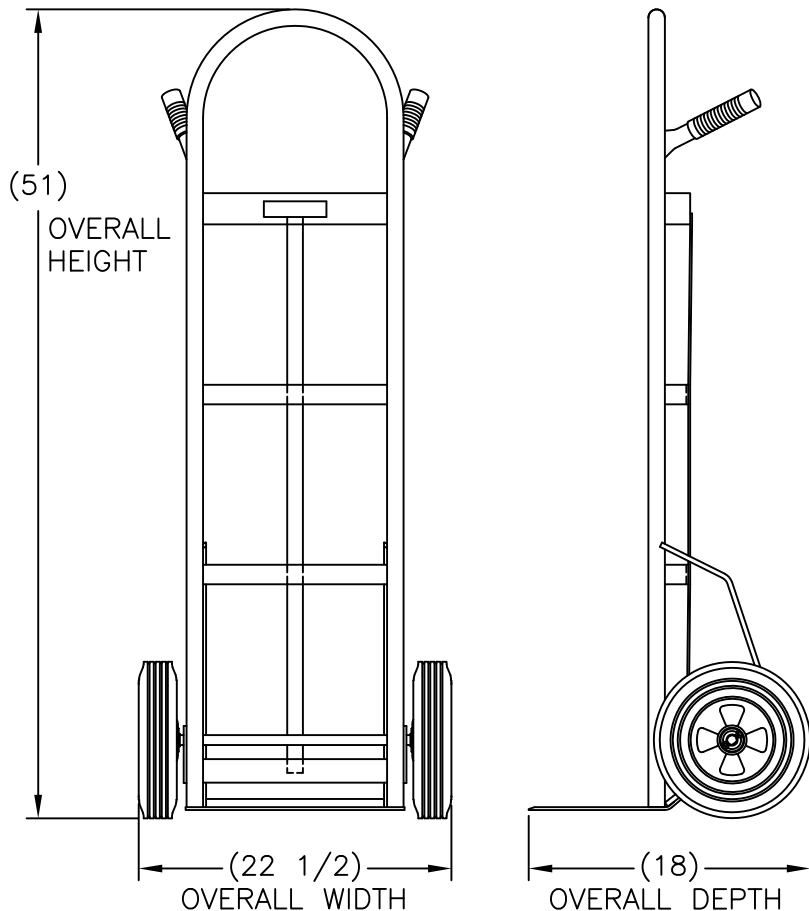


REPLACEMENT PARTS LIST



100 SERIES INDUSTRIAL HAND TRUCKS

ITEM	PART NO.	DESCRIPTION	QTY.
1	150698	WHEEL: "Z2" 10 X 2.75	2
2	210099	24 FLD. NOSE W/HRDWARE	1
3	050045	PIVOT ROD (FN-24)	1
4	108232	RETAINING HOOK (FN-24)	1
5	108226	1 PLASTIC GRIP (BLACK)	2
6	050052	AXLE: "D" (19-7/8")	1

- A 5 year guarantee against weld failure. A Wesco quality exclusive.
- Industrial strength heavy duty schedule 40 pipe frame construction.
- Ribbed cross braces for extra strength.
- All joints double welded.
- 8" deep x 14" wide nose is 7 gauge thick plate with machined beveled edge and radiused corners for safety.
- Zinc plated Auto-Loc axles assure smooth wheel rotation.
- All frame handle 8" or 10" wheels.
- Orange enamel finish.
- Vinyl handle grips are standard on appropriate frames.

SERIES 146

- Two handle extra high back curved design.
- Ideal for high loads.
- Four horizontal cross straps and vertical center strap provide support for small packages.

P/N 210383
 Model: 146-Z2
 Capacity: 800 lbs
 Weight: 42 lbs
 Boxed: No
 Hub: Poly Offset
 Dimensions: 10" x 2.75"
 Wheel Type: Solid Rubber

PRINT ISSUED

JAN 09, 2007

WESCO MANUFACTURING
 ENGINEERING DEPARTMENT

R W S APP
 01-17-13
 UPDATED
 C

WESCO MANUFACTURING CO. NORTH WALES PENNA. 19454		PART NAME		DRAWN: LDU 8-3-00	
		146-Z2		CHECKED:	
TOLERANCE UNLESS OTHERWISE SPECIFIED		APP. ENGR.		SCALE: 8" = 1"	
FRACTION	3 PLACE DECIMAL	2 PLACE DECIMAL	B- 210383		
± 1/84	± .005	± .01	REV	C	
ANGULAR ± 1-1/2'	SHEET 1 OF 1	BREAK ALL SHARP EDGES AND REMOVE ALL BURRS			