

REPLACEMENT PARTS LIST

ITEM	PART NO.	DESCRIPTION	QTY.
1	150698	WHEEL: "Z2" 10 X 2.75	2
2	210099	24 FLD. NOSE W/HRDWARE	1
3	050045	PIVOT ROD (FN-24)	1
4	108232	RETAINING HOOK (FN-24)	1
5	108226	1 PLASTIC GRIP (BLACK)	2
6	050052	AXLE: "D" (19-7/8")	1

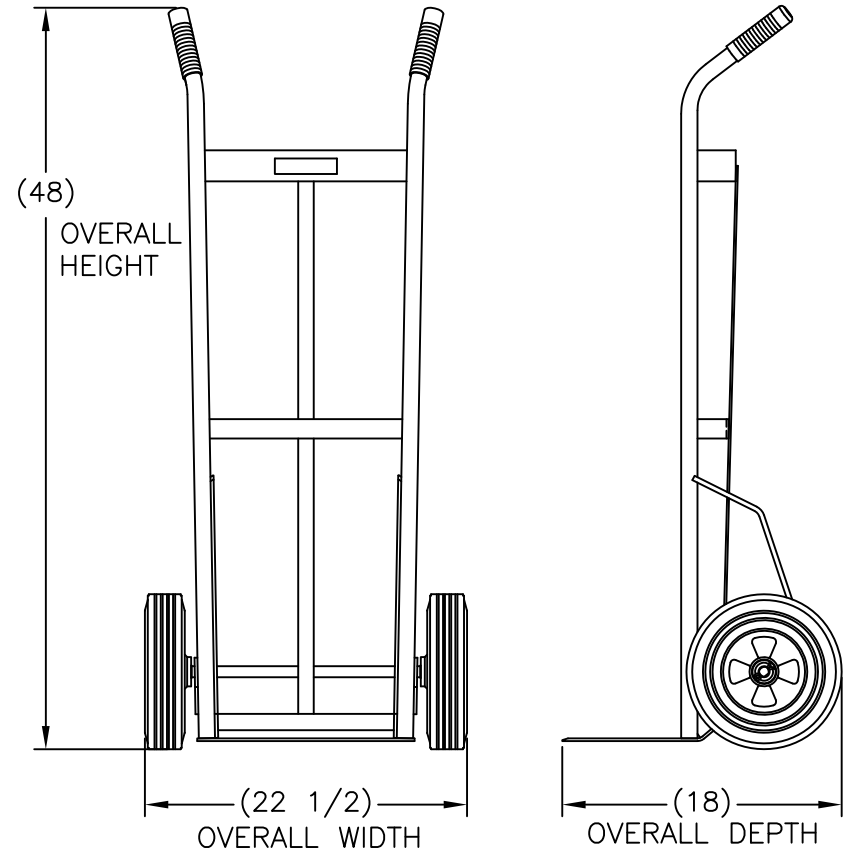
100 SERIES INDUSTRIAL HAND TRUCKS

- A 5 year guarantee against weld failure. A Wesco quality exclusive.
- Industrial strength heavy duty schedule 40 pipe frame construction.
- Ribbed cross braces for extra strength.
- All joints double welded.
- 8" deep x 14" wide nose is 7 gauge thick plate with machined beveled edge and radiused corners for safety.
- Zinc plated Auto-Loc axles assure smooth wheel rotation.
- All frame handle 8" or 10" wheels.
- Orange enamel finish.
- Vinyl handle grips are standard on appropriate frames.

SERIES 136

- Two handle tapered body design.
- Three heavy duty horizontal cross straps for added strength.
- Full height center strap provides support for small packages.

P/N 210382
 Model: 136-Z2
 Capacity: 800 lbs
 Weight: 40 lbs
 Boxed: No
 Hub: Poly Offset
 Dimensions: 10" x 2.75"
 Wheel Type: Solid Rubber



PRINT ISSUED

JAN 09, 2007

WESCO MANUFACTURING
ENGINEERING DEPARTMENT

R	W	S	APP
01-17-13	UPDATED		
C			

WESCO MANUFACTURING CO.
 NORTH WALES PENNA. 19454

PART NAME: 136-Z2

DRAWN: LDU 8-3-00

CHECKED:

APP. ENGR.

TOLERANCE UNLESS OTHERWISE SPECIFIED

FRACTION	3 PLACE DECIMAL	2 PLACE DECIMAL
± 1/64	± .005	± .01

ANGULAR ± 1-1/2" SHEET 1 OF 1

BREAK ALL SHARP EDGES AND REMOVE ALL BURRS

SCALE: 8" = 1"

B- 210382 REV C