

210374

## REPLACEMENT PARTS LIST

ITEM	PART NO.	DESCRIPTION	QTY.
1	151551	WHEEL: PE, 10 X 3-1/2	2
2	210099	24 FLD. NOSE W/HRDWARE	1
3	050045	PIVOT ROD (FN-24)	1
4	108232	RETAINING HOOK (FN-24)	1
5	050052	AXLE, "D", 19-7/8"	1

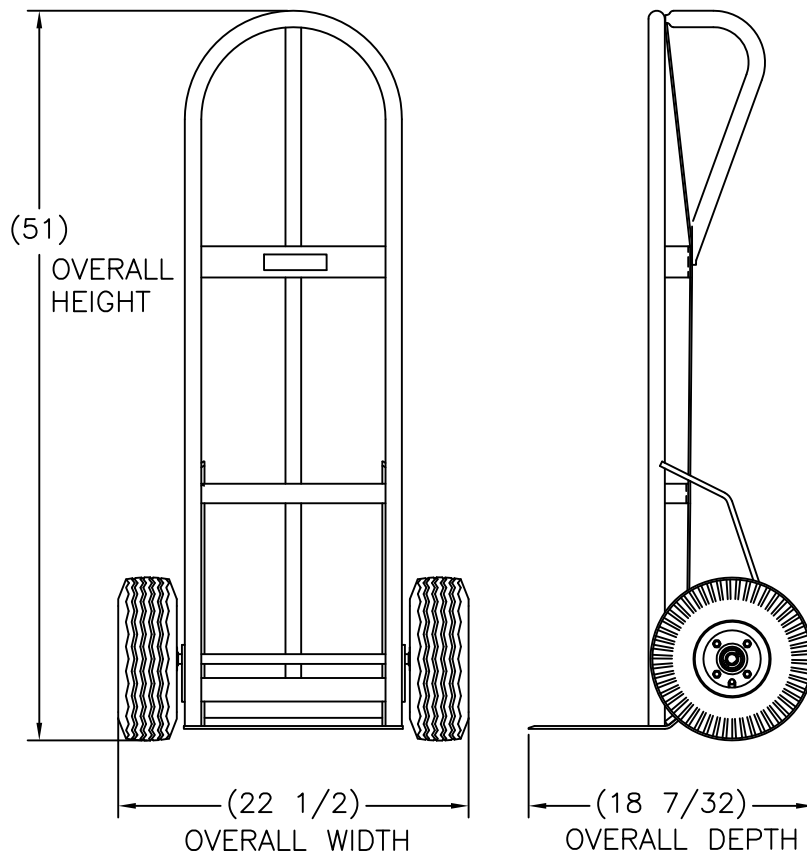
100 SERIES INDUSTRIAL  
HAND TRUCKS

- A 5 year guarantee against weld failure. A Wesco quality exclusive.
- Industrial strength heavy duty schedule 40 pipe frame construction.
- Ribbed cross braces for extra strength.
- All joints double welded.
- 8" deep x 14" wide nose is 7 gauge thick plate with machined beveled edge and radiused corners for safety.
- Zinc plated Auto-Loc axles assure smooth wheel rotation.
- All frame handle 8" or 10" wheels.
- Orange enamel finish.
- Vinyl handle grips are standard on appropriate frames.

## SERIES 146D

- Single "D" shaped handle combined with high back curved design.
- Easier one hand control of stacked goods.
- Four horizontal cross straps and vertical center strap provide support for small packages.

P/N                    210374  
 Model:                146D-PE  
 Capacity:            700 lbs  
 Weight:                36 lbs  
 Boxed:                No  
 Hub:                    Steel Offset  
 Dimensions:        10" x 3.5"  
 Wheel Type:        Pneumatic



PRINT ISSUED

DEC 29, 2006

WESCO MANUFACTURING  
ENGINEERING DEPARTMENT

R	W	S	APP
01-17-13			
C	UPDATED		
REV.	ECN & DATE	REVISONS	

WESCO MANUFACTURING CO.  
NORTH WALES                    PENNA. 19454

PART NAME	146D-PE	DRAWN: LDU 7-10-00
TOLERANCE UNLESS OTHERWISE SPECIFIED		CHECKED:
FRACTION	3 PLACE DECIMAL	2 PLACE DECIMAL
± 1/64	± .005	± .01
ANGULAR ± 1-1/2'	SHEET 1 OF 1	SCALE: 1:8
BREAK ALL SHARP EDGES AND REMOVE ALL BURRS		B- 210374    REV    C