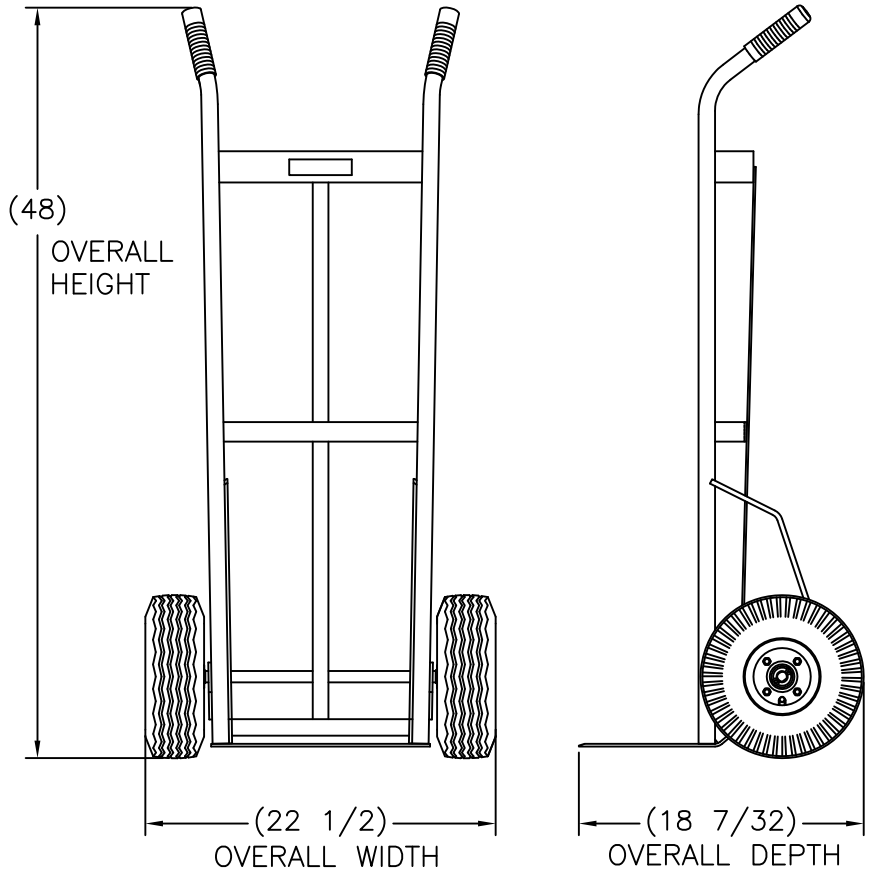


210372

REPLACEMENT PARTS LIST

ITEM	PART NO.	DESCRIPTION	QTY.
1	151551	WHEEL: PE, 10 X 3-1/2	2
2	210099	24 FLD. NOSE W/HRDWARE	1
3	050045	PIVOT ROD (FN-24)	1
4	108232	RETAINING HOOK (FN-24)	1
5	108226	1 PLASTIC GRIP (BLACK)	1
6	050052	AXLE, "D", 19-7/8"	1



100 SERIES INDUSTRIAL HAND TRUCKS

- A 5 year guarantee against weld failure. A Wesco quality exclusive.
- Industrial strength heavy duty schedule 40 pipe frame construction.
- Ribbed cross braces for extra strength.
- All joints double welded.
- 8" deep x 14" wide nose is 7 gauge thick plate with machined beveled edge and radiused corners for safety.
- Zinc plated Auto-Loc axles assure smooth wheel rotation.
- All frame handle 8" or 10" wheels.
- Orange enamel finish.
- Vinyl handle grips are standard on appropriate frames.

SERIES 136

- Two handle tapered body design.
- Three heavy duty horizontal cross straps for added strength.
- Full height center strap provides support for small packages.

P/N 210372
 Model: 136-PE
 Capacity: 700 lbs
 Weight: 34 lbs
 Boxed: No
 Hub: Steel Offset
 Dimensions: 10" x 3.5"
 Wheel Type: Pneumatic

PRINT ISSUED

JAN 09, 2007

WESCO MANUFACTURING
ENGINEERING DEPARTMENT

R W S APP
 01-17-13
 UPDATED
 B

WESCO MANUFACTURING CO. NORTH WALES PENNA. 19454		PART NAME		DRAWN: LDU 7-10-00	
		136-PE		CHECKED:	
TOLERANCE UNLESS OTHERWISE SPECIFIED				APP. ENGR.	
FRACTION		3 PLACE DECIMAL		2 PLACE DECIMAL	
± 1/64		± .005		± .01	
ANGULAR ± 1-1/2'		SHEET 1 OF 1		SCALE: 1:8	
BREAK ALL SHARP EDGES AND REMOVE ALL BURRS		B- 210372		REV	B