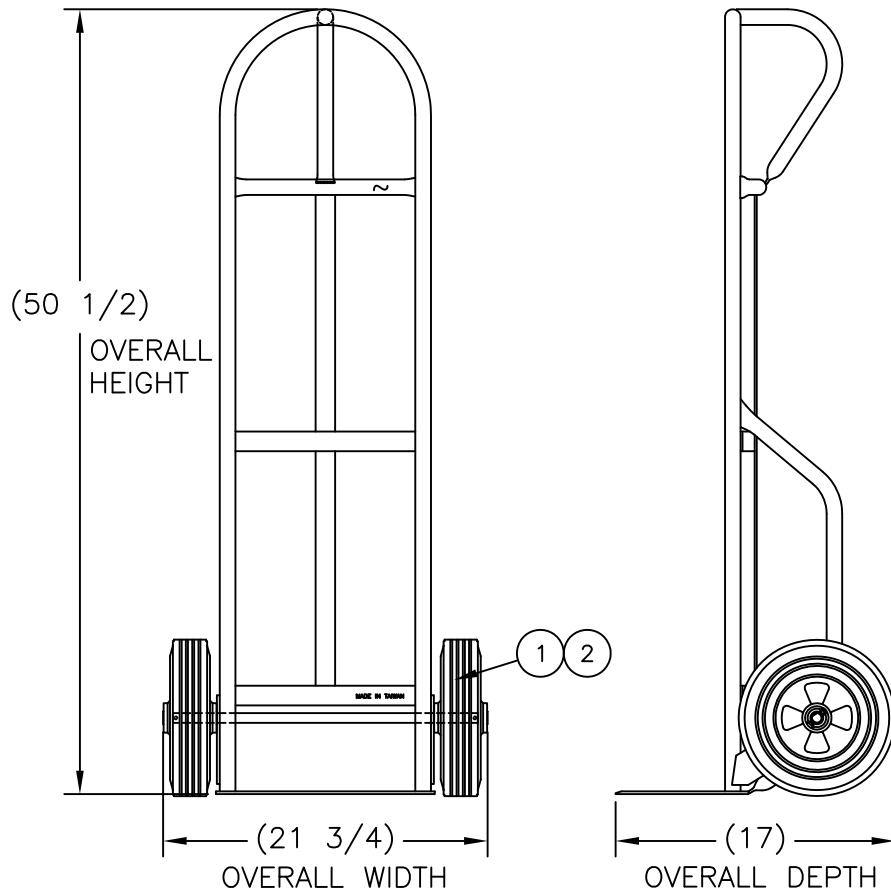


210362



REPLACEMENT PARTS LIST

| ITEM | PART NO. | DESCRIPTION | QTY. |
|------|----------|---------------------------------|------|
| 1 | 150698 | WHEEL "Z2" (10 ϕ X 2-3/4") | 2 |
| 2 | 053900 | AXLE "D" (19-1/2") | 1 |

FOLDING NOSE EXT'N OPTION

| ITEM | PART NO. | DESCRIPTION | QTY. |
|------|----------|-----------------------------|------|
| | 210249 | FNG-24K, FOLDING NOSE EXT'N | 1 |
| | 050045 | PIVOT ROD (FN-24) | 1 |
| | 108232 | RETAINING HOOK (FN-24) | 1 |

GREENLINE STANDARD DUTY STEEL HANDTRUCKS
626D Series

- Single loop handle w/curved back design.
- Welded frame construction.
- 1" OD x 14ga wall tubular frame
- Economically priced.
- Green enamel finish.
- Zinc plated auto-loc axles assure smooth wheel rotation.
- 8" or 10" wheel on all frames
- 7" deep x 14" wide 7ga noseplate w/ radiused corners.

P/N 210362

Model 626D-Z2
 Weight 36 lbs
 Capacity 600 lbs
 Box NO

Wheel 10" x 2.75"
 Type Solid Rubber
 Hub Poly Offset

THIS DRAWING IN ALL PARTICULARS IS WESCO MFG. CO. PROPERTY. ALL RIGHTS OF DESIGN, INVENTION OR USE OF ARE RESERVED.

PRINT ISSUED

JUN 22 2007

WESCO MANUFACTURING
ENGINEERING DEPARTMENT

R W S APP
 01-24-13
 UPDATED
 A

ECN & DATE
 REVISIONS
 REV.

WESCO MANUFACTURING CO.
 NORTH WALES PENNA. 19454

PART NAME

626D-Z2

DRAWN: LDU 8-19-99

CHECKED:

APP. ENGR.

TOLERANCE UNLESS OTHERWISE SPECIFIED

| FRACTION | 3 PLACE DECIMAL | 2 PLACE DECIMAL |
|------------|-----------------|-----------------|
| $\pm 1/64$ | $\pm .005$ | $\pm .01$ |

SCALE: 1/8" = 1"

ANGULAR $\pm 1-1/2'$ SHEET 1 OF 1

B- 210362 REV A

BREAK ALL SHARP EDGES AND REMOVE ALL BURRS