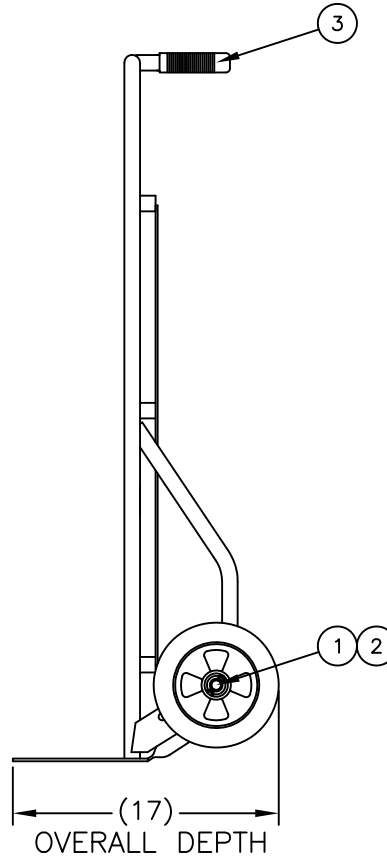
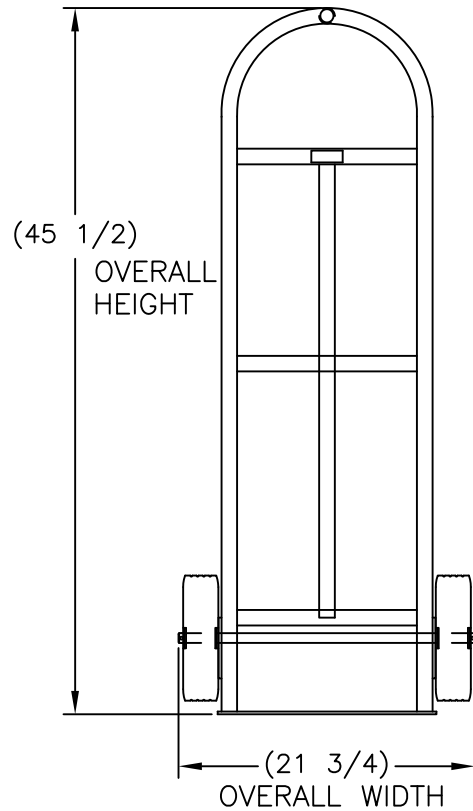


210330



REPLACEMENT PARTS LIST

ITEM	PART NO.	DESCRIPTION	QTY.
1	150967	WHEEL "Z8" (8ø X 2-1/2")	2
2	053900	AXLE "D" 19-1/2"	1
3	108226	1 PLASTIC GRIP (BLACK)	1

FOLDING NOSE EXT'N OPTION

ITEM	PART NO.	DESCRIPTION	QTY.
	210249	FNG-24K, FOLDING NOSE EXT'N	1
	050045	PIVOT ROD (FN-24)	1
	108232	RETAINING HOOK (FN-24)	1

GREENLINE STANDARD DUTY STEEL HANDTRUCKS  
626 Series

- Pin handle w/curved back design.
- Welded frame construction.
- 1" OD x 14ga wall tubular frame
- Economically priced.
- Green enamel finish.
- Zinc plated auto-loc axles assure smooth wheel rotation.
- 8" or 10" wheel on all frames
- 7" deep x 14" wide 7ga noseplate w/ radiused corners.

P/N 210330

Model 626-Z8  
Weight 25.5 lbs  
Capacity 500 lbs  
Box NO

Wheel 8" x 2"  
Type Solid Rubber  
Hub Poly Offset

PRINT ISSUED

JAN 11, 2007

WESCO MANUFACTURING  
ENGINEERING DEPARTMENT

R W S APP  
01-23-13  
A UPDATED  
REV. ECN & DATE REVISIONS

WESCO MANUFACTURING CO.  
NORTH WALES PENNA. 19454

PART NAME <b>626-Z8</b> (Greenline Steel Hand Truck)		DRAWN: LDU 8-3-00
TOLERANCE UNLESS OTHERWISE SPECIFIED		CHECKED:
FRACTION 3 PLACE DECIMAL 2 PLACE DECIMAL		APP. ENGR.
± 1/64 ± .005 ± .01	SCALE: 8" = 1"	
ANGULAR ± 1-1/2'	SHEET 1 OF 1	B- 210330
BREAK ALL SHARP EDGES AND REMOVE ALL BURRS		REV A