

REPLACEMENT PARTS LIST

ITEM	PART NO.	DESCRIPTION	QTY.
1	151551	"PE" WHEEL (Ø10 X 3.50)	2
2	050150	AXLE 18 (for 10 Wheels)	1
3	150927	5 CASTER (for 10 Wheels)	2
4	151219	LOCK PIN	2

GREENLINE ECONOMICAL 2-In-1
STEEL HAND TRUCK

- Converts easily between 2 and 4 wheel truck.
- Double welded tubular construction.
- Lengthwise strap and cross braces prevent package fall-through.
- Solid rubber swivel casters.

P/N 210325

Model: 656-21-PE

Weight: 38 lbs

Capacity: 500 lbs 2-Wheel
600 lbs 4-Wheel

Boxed: NO

Hub: Steel Offset

Dimensions: 10" x 3.5"

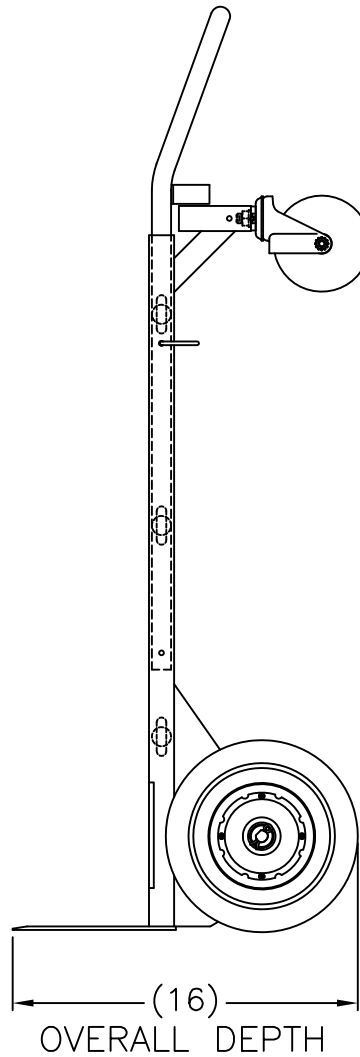
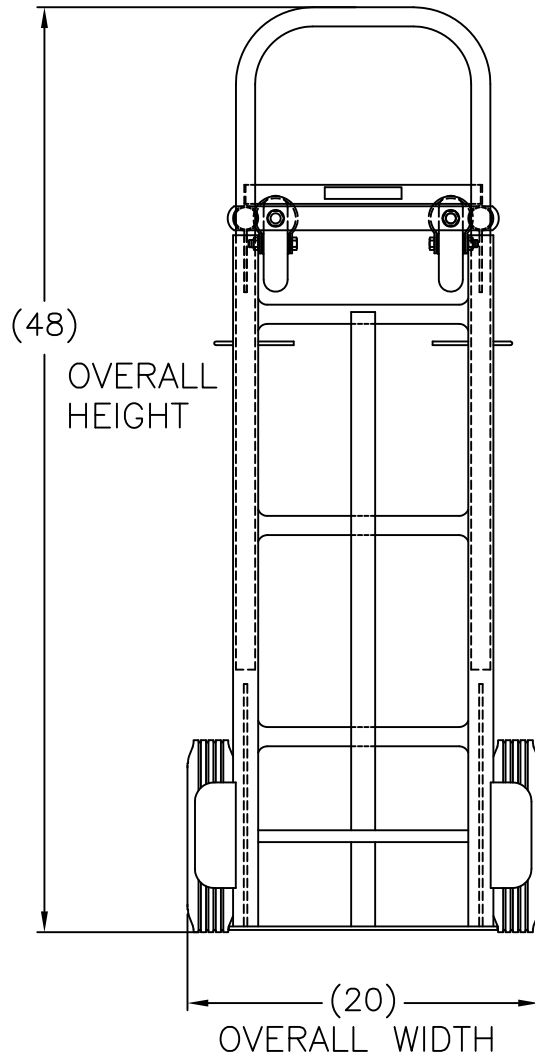
Wheel Type: Pneumatic

Caster: 5" x 1.25"

Height: 48"

Bed Size: 13" x 36"

Total Width: 20"



THIS DRAWING IN ALL PARTICULARS IS WESCO MFR. CO. PROPERTY. ALL RIGHTS OF DESIGN, INVENTION OR USE OF ARE RESERVED.

PRINT ISSUED

JAN 10, 2007

WESCO MANUFACTURING
ENGINEERING DEPARTMENT

01-23-13 R W S APP	REV. ECH & DATE	REVISIONS	WESCO MANUFACTURING CO.		NORTH WALES PENNA. 19454	
			PART NAME		DRAWING	
			656-21-PE		CHECKED:	
			TOLERANCE UNLESS OTHERWISE SPECIFIED		APP. ENGR.	
B	REV.	SHEET 1 OF 1	FRACTION	3 PLACE DECIMAL	2 PLACE DECIMAL	SCALE: 5" = 1"
			± 1/64	± .005	± .01	C-210325
			ANGULAR ± 1-1/2°	BREAK ALL SHARP EDGES AND REMOVE ALL BURRS		