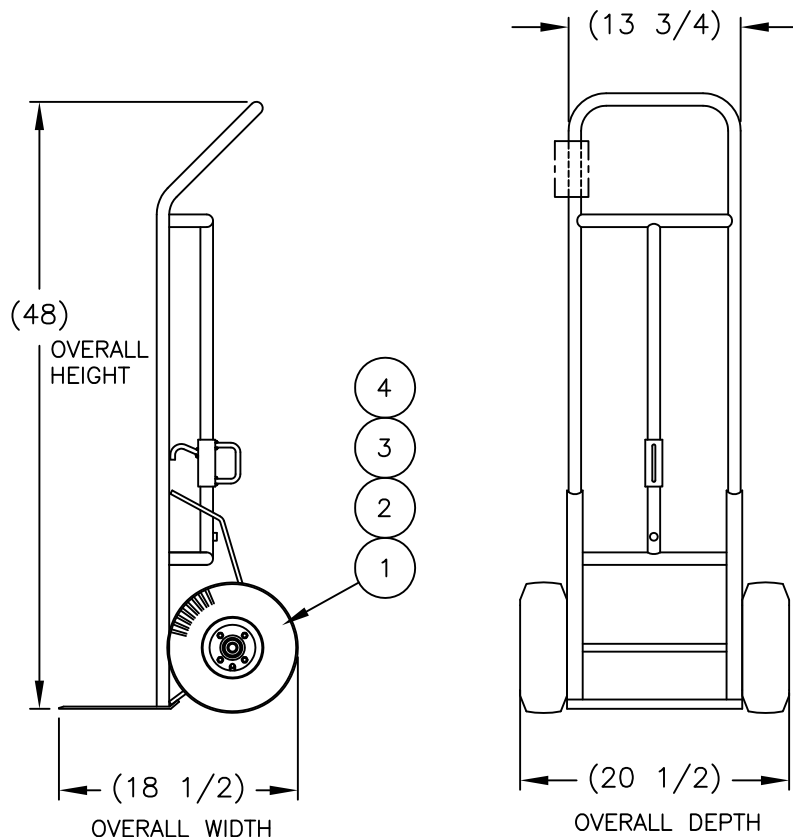


REPLACEMENT PARTS LIST

ITEM	PART NO.	DESCRIPTION	QTY.
1	050602	WHEEL: "P" 10 x 3.50"	2
2	100051	WASHER: FLAT 5/8" SAE	4
3	108219	COTTER PIN 5/32 X 1"	2
4	050052	AXLE: "D" 19-7/8"	1



HEAVY DUTY HAND TRUCK

- Utility of a hand truck & drum truck.
- Chime hook works with 30/55 gallon drums.
- Curved frame holds 5 gallon pails and kegs.
- With noseplate resting flat on floor, 15-1/2" to center of lowered chime hook.
- Made in USA

P/N	210266
Model	156DH-P
Weight	39 lbs
Capacity	700 lbs
Bearing	Ball Bearing
Axle	.625"
Box	NO
Wheel	10" x 3.5"
Type	Pneumatic
Hub	Steel Offset

PRINT ISSUED

NOV. 10, 2006

WESCO MANUFACTURING  
ENGINEERING DEPARTMENT

R	W	S	APP
01-28-13			
A	UPDATED		

WESCO INDUSTRIAL PRODUCTS INC.  
NORTH WALES PENNA. 19454

PART NAME	156DH-P DRUM TRUCKS	DRAWN: LDU 8-9-00
TOLERANCE UNLESS OTHERWISE SPECIFIED		CHECKED:
FRACTION	3 PLACE DECIMAL	2 PLACE DECIMAL
± 1/64	± .005	± .01
ANGULAR ± 1-1/2'	SHEET 1 OF 1	SCALE: 1" = 12"
BREAK ALL SHARP EDGES AND REMOVE ALL BURRS		B- 210266 REV A