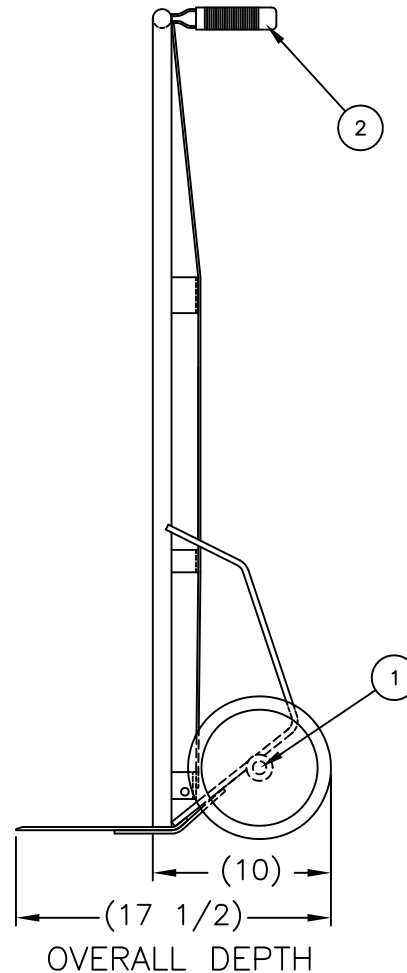
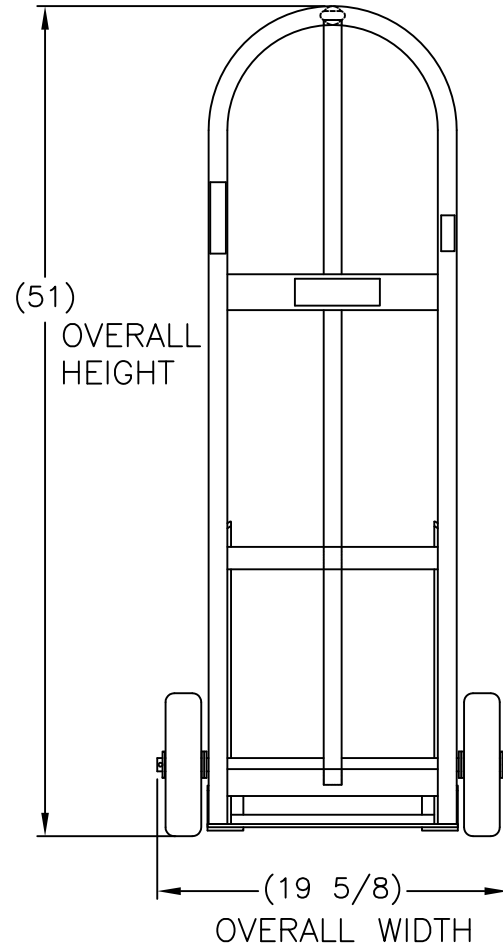


210263



REPLACEMENT PARTS LIST

ITEM	PART NO.	DESCRIPTION	QTY.
1	150120	WHEEL: "HB" 8 X 2	2
	100051	WASHER: FLAT 5/8 SAE	4
	108219	PIN: COTTER 5/32 X 1"	2
2	108226	HANDGRIP: 1" BLACK	1

P/N 210263

Model #: 126RN-HB
 Weight: 39 lbs
 Capacity: 800 lbs
 Boxed: No

HEAVY DUTY HAND TRUCK

- 8" X 2" cast iron center moldon rubber wheels.
- Steel reinforced nose plate.
- .75" axle.
- Five handle choices.
- Made in USA.

THIS DRAWING IN ALL PARTICULARS IS WESCO MFRG. CO. PROPERTY. ALL RIGHTS OF DESIGN, INVENTION OR USE OF ARE RESERVED.

PRINT ISSUED

JUL 09 2007

WESCO MANUFACTURING
ENGINEERING DEPARTMENT

R	W	S	APP
01-29-13			
A	UPDATED		
REV.	ECN & DATE	REVISIONS	

WESCO MANUFACTURING CO. NORTH WALES PENNA. 19454		
PART NAME 126RN-HB		DRAWN: LDU 7-15-99
		CHECKED: PS 7-19-99
		APP. ENGR.
TOLERANCE UNLESS OTHERWISE SPECIFIED		
FRACTION	3 PLACE DECIMAL	2 PLACE DECIMAL
± 1/64	± .005	± .01
ANGULAR ± 1-1/2'	SHEET 1 OF 1	SCALE: 7" = 1"
BREAK ALL SHARP EDGES AND REMOVE ALL BURRS		
B- 210263		REV A