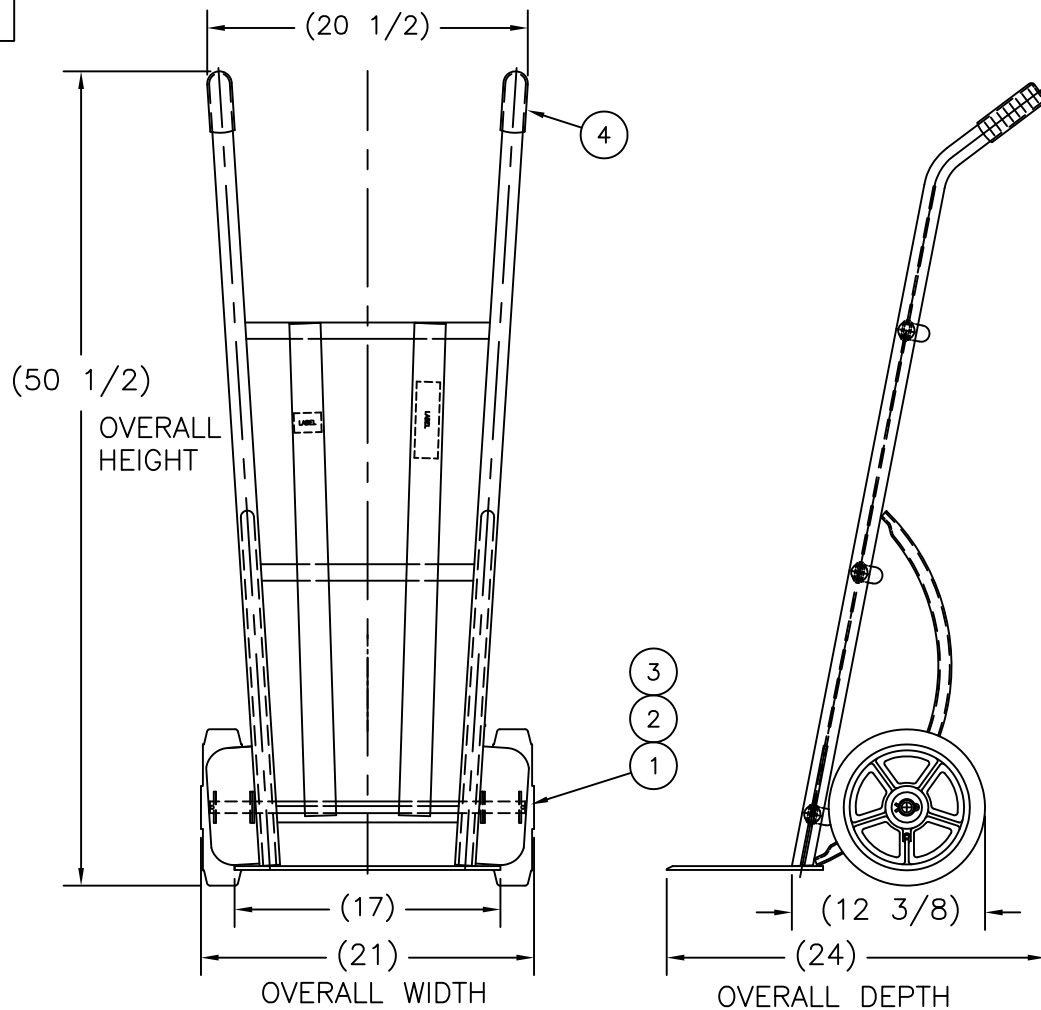


210239



REPLACEMENT PARTS LIST

ITEM	PART NO.	DESCRIPTION	QTY.
1	150596	WHEEL: "BT" 10 x 2.5	2
2	108204	WASHER: FLAT, 3/4 SAE	2
3	108218	PIN: COTTER 3/16 X 1-1/2"	1
4	108433	HANDGRIP: YELLOW	2
* 5	108304	BAG: POLY 28 X 52	1

P/N 210239

* NOT SHOWN

Model: TM-BT
 Capacity: 1000
 Weight: 67 lbs
 Wheel: BT-1, 10" x 2.5"
 Hub: Cast Iron
 Type: Moldon Rubber
 Box: No

HEAVY DUTY WAREHOUSE TRUCKS

- 5 year weld guarantee.
- Large 10" deep x 16.5" wide x .25" thick tapered nose plate.
- 1" heavy duty sch-40 pipe frame.
- Wheels guards standard.
- Dual handle design.
- Kick out four wheel model -TM4W or standard two wheel model.
- 3.5" moldon rubber swivel casters on four wheel kick out trucks.

PRINT ISSUED

JUL 10 2007

WESCO MANUFACTURING
ENGINEERING DEPARTMENT

R W S
 APP
 01-31-13
 UPDATED
 A

REV.
 ECN & DATE
 REVISIONS

WESCO INDUSTRIAL PRODUCTS INC.

NORTH WALES

PENNA. 19454

PART NAME

TM-BT

DRAWN: DAS 9-19-95

CHECKED: EGK 9-20-95

APP. ENGR.

SCALE: 10" = 1"

TOLERANCE UNLESS OTHERWISE SPECIFIED

FRACTION	3 PLACE DECIMAL	2 PLACE DECIMAL
$\pm 1/64$	$\pm .005$	$\pm .01$

ANGULAR $\pm 1-1/2'$	SHEET	1	OF	1
----------------------	-------	---	----	---

BREAK ALL SHARP EDGES AND REMOVE ALL BURRS

B- 210239

REV A