

REPLACEMENT PARTS LIST

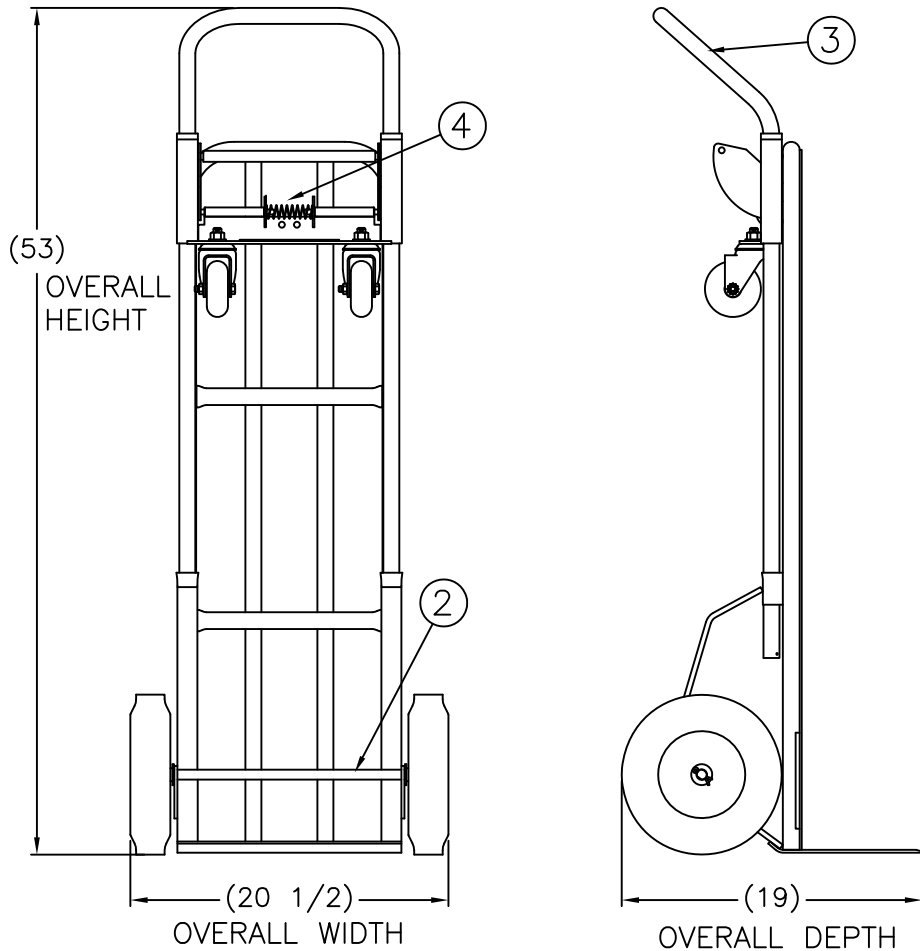
ITEM	PART NO.	DESCRIPTION	QTY.
1	150698	"Z2" WHEEL (ø10 X 2 3/4)	2
2	050052	"D" AXLE (19 7/8")	1
3	051730	HANDLE	1
4	108492	SPRING FOR LOCK PINS	1
5	151244	3 1/2 COLSON CASTER (S23)	2
	108447	SWI. CASTER, POLYOLEFIN (Plate Type)	2

2-IN-1 DELUXE INDUSTRIAL STEEL HAND TRUCKS

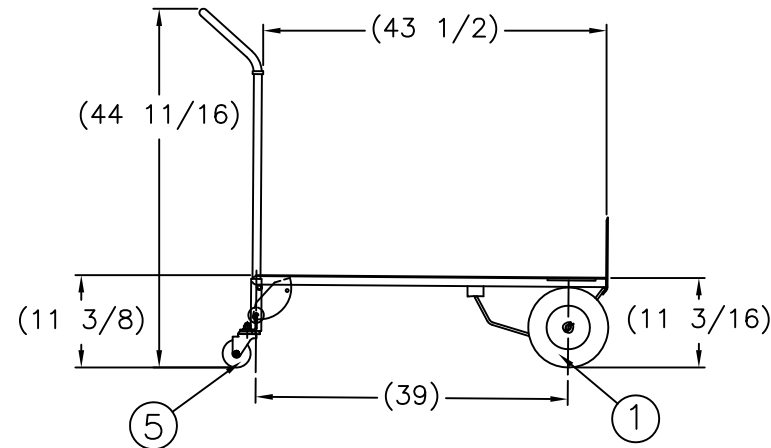
- Converts easily between 2 and 4 wheel truck.
- Handle locks in horizontal and vertical positions.
- Two lengthwise straps and two cross braces prevent package fall-through.
- 3.5" or 5" Colson hi-Tech Performa Casters
- 3/4" Schedule 40 structural pipe bed frame.

COLSON HI-TECH PERFORMA CASTERS:

- Standard equipment on all models at no additional cost.
- Less energy required to start moving load and keep it moving.
- Performa wheels reject almost every type of floor debris, including metal shavings, chips, sand and gravel.
- Smooth, quiet ride of a soft-tread wheel.
- As durable as a hard-tread wheel.



P/N 210140  
 Model: 156-S23-Z2  
 Weight: 58.25 lbs  
 Capacity: 800 lbs 2-Wheel  
 1000 lbs 4-Wheel  
 Boxed: NO  
 Hub: Poly Offset  
 Dimensions: 10" x 2.75"  
 Wheel Type: Solid Rubber  
 Height: 53"  
 Bed Size: 14" x 44.5"  
 Total Width: 22.5"



THIS DRAWING IN ALL PARTICULARS IS WESCO MFG. CO. PROPERTY. ALL RIGHTS OF DESIGN, INVENTION OR USE OF ARE RESERVED.

PRINT ISSUED

JAN 10, 2007

WESCO MANUFACTURING  
 ENGINEERING DEPARTMENT

REV.	DATE	BY	APP.	DESCRIPTION
B	01-21-13	R	W	UPDATED

WESCO MANUFACTURING CO. NORTH WALES PENNA. 19454	
PART NAME	156-S23-Z2
DRAWN	SKH 10-9-95
CHECKED	EGK 10-13-95
APP. ENGR.	
TOLERANCE UNLESS OTHERWISE SPECIFIED	
FRACTION	3 PLACE DECIMAL 2 PLACE DECIMAL
± 1/64	± .005 ± .01
ANGULAR ± 1-1/2'	SHEET 1 OF 1
BREAK ALL SHARP EDGES AND REMOVE ALL BURRS	
SCALE: 6" = 1"	C-210140 REV B