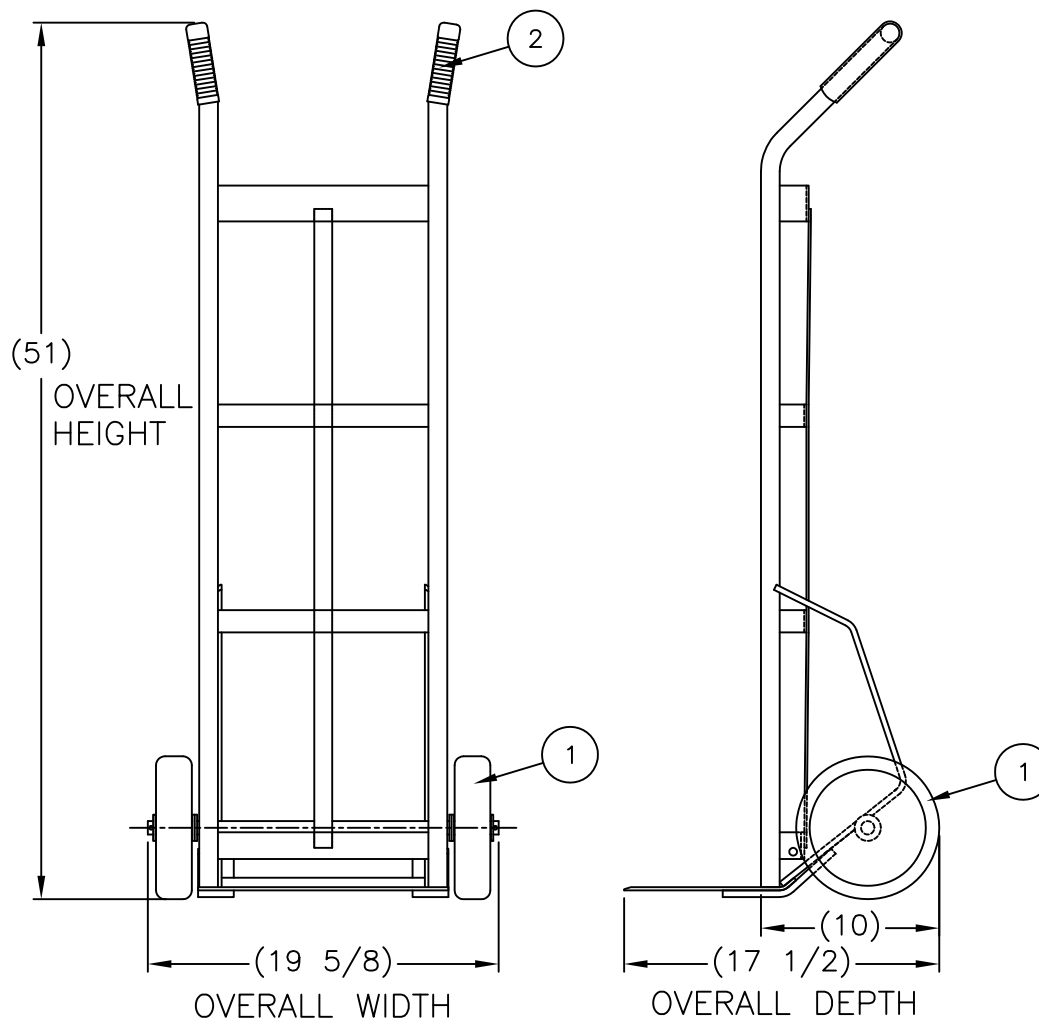


210134



REPLACEMENT PARTS LIST

ITEM	PART NO.	DESCRIPTION	QTY.
1	150120	WHEEL: "HB" 8 X 2	2
	108204	WASHER: FLAT 3/4 SAE	2
	108218	PIN: COTTER 3/16 x 1 1/2"	2
2	108226	HANDGRIP : 1" BLACK	2

P/N 210134

Model #: 136RN-HB
 Weight; 40 lbs
 Capacity: 800 lbs
 Boxed: No

HEAVY DUTY HAND TRUCK

- 8" X 2" cast iron center moldon rubber wheels.
- Steel reinforced nose plate.
- 3/4" axle
- Five handle choices
- Made in USA

THIS DRAWING IN ALL PARTICULARS IS WESCO MFG. CO. PROPERTY. ALL RIGHTS OF DESIGN, INVENTION OR USE OF ARE RESERVED.

PRINT ISSUED

JUL 09 2007

WESCO MANUFACTURING
ENGINEERING DEPARTMENT

REV.	ECN & DATE	APP.
A	01-29-13 UPDATED	RS

WESCO MANUFACTURING CO.		
NORTH WALES		PENNA. 19454
PART NAME		DRAWN: LDU 7-15-99
136RN-HB		CHECKED: PS 7-19-99
TOLERANCE UNLESS OTHERWISE SPECIFIED		APP. ENGR.
FRACTION	3 PLACE DECIMAL	2 PLACE DECIMAL
± 1/64	± .005	± .01
ANGULAR ± 1-1/2'	SHEET 1 OF 1	SCALE: 7" = 1"
BREAK ALL SHARP EDGES AND REMOVE ALL BURRS		B- 210134 REV A