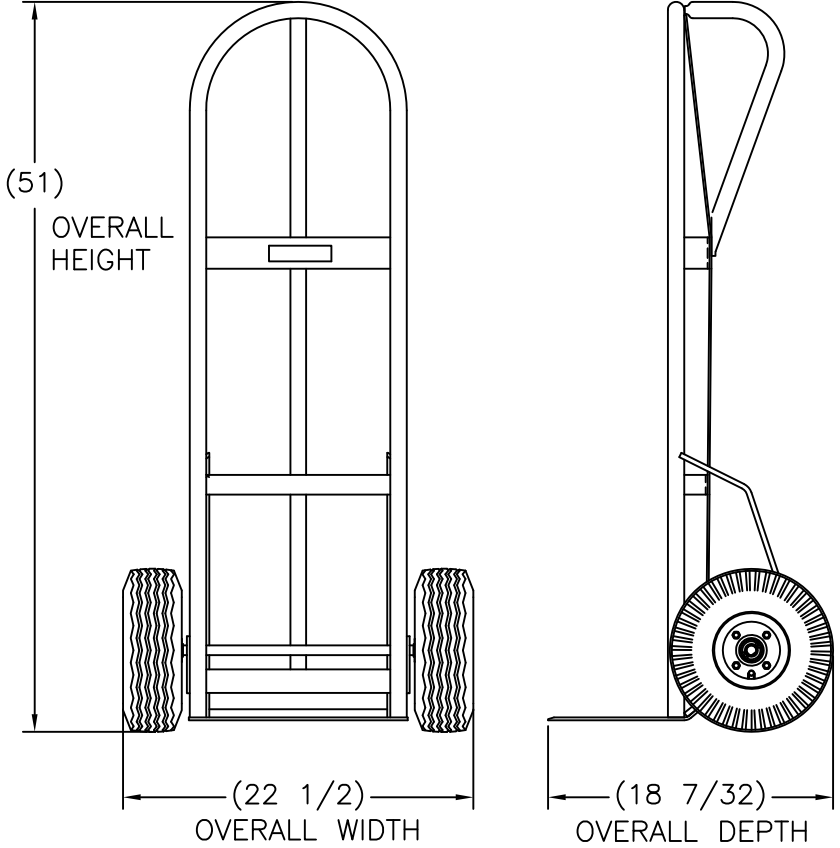


210040

REPLACEMENT PARTS LIST

ITEM	PART NO.	DESCRIPTION	QTY.
1	050602	WHEEL: P, 10 X 3-1/2	2
2	210099	24 FLD. NOSE W/HRDWARE	1
3	050045	PIVOT ROD (FN-24)	1
4	108232	RETAINING HOOK (FN-24)	1
5	050052	AXLE, "D", 19-7/8"	1



100 SERIES INDUSTRIAL HAND TRUCKS

- A 5 year guarantee against weld failure. A Wesco quality exclusive.
- Industrial strength heavy duty schedule 40 pipe frame construction.
- Ribbed cross braces for extra strength.
- All joints double welded.
- 8" deep x 14" wide nose is 7 gauge thick plate with machined beveled edge and radiused corners for safety.
- Zinc plated Auto-Loc axles assure smooth wheel rotation.
- All frame handle 8" or 10" wheels.
- Orange enamel finish.
- Vinyl handle grips are standard on appropriate frames.

SERIES 146D

- Single "D" shaped handle combined with high back curved design.
- Easier one hand control of stacked goods.
- Four horizontal cross straps and vertical center strap provide support for small packages.

P/N 210040
 Model: 146D-P
 Capacity: 700 lbs
 Weight: 41 lbs
 Boxed: No
 Hub: Steel Offset
 Dimensions: 10" x 3.5"
 Wheel Type: Pneumatic

PRINT ISSUED
 DEC 29, 2006
 WESCO MANUFACTURING
 ENGINEERING DEPARTMENT

R	W	S	APP
01-17-13	UPDATED		
B			

WESCO MANUFACTURING CO. NORTH WALES PENNA. 19454	
PART NAME 146D-P	DRAWN: LDU 7-10-00
CHECKED:	
APP. ENGR.	
SCALE: 1:8	
TOLERANCE UNLESS OTHERWISE SPECIFIED	
FRACTION 3 PLACE DECIMAL 2 PLACE DECIMAL	
± 1/64 ± .005 ± .01	
ANGULAR ± 1-1/2'	SHEET 1 OF 1
BREAK ALL SHARP EDGES AND REMOVE ALL BURRS	
B- 210040	REV B