

REPLACEMENT PARTS LIST

ITEM	PART NO.	DESCRIPTION	QTY.
1	108545	WHEEL, R, 8 X 1-5/8	2
2	210099	24 FLD. NOSE W/HRDWARE	1
3	050045	PIVOT ROD (FN-24)	1
4	108232	RETAINING HOOK (FN-24)	1
5	053528	AXLE: "D" 19"	1

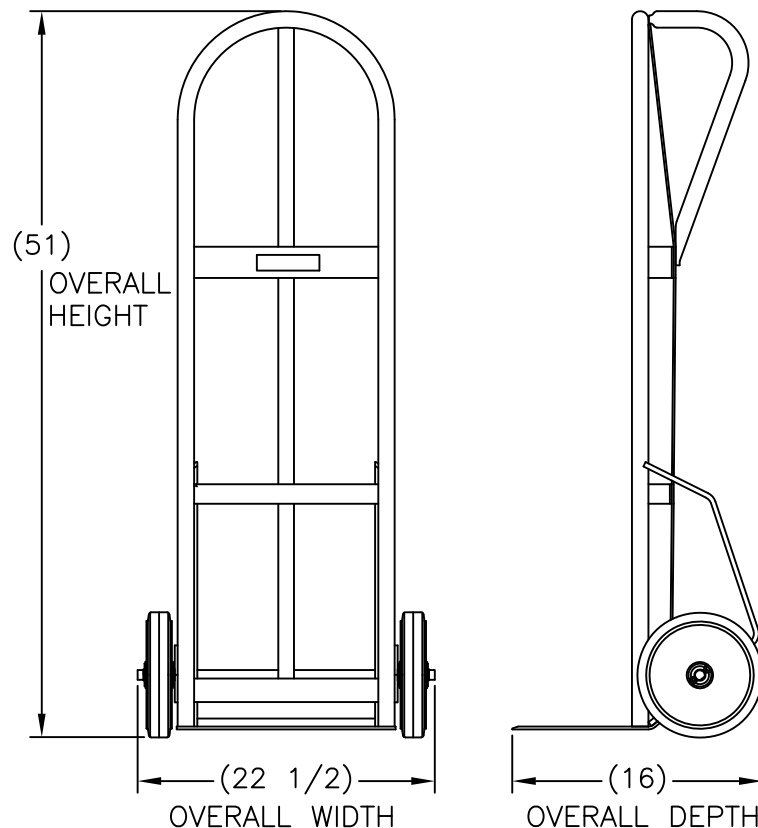
100 SERIES INDUSTRIAL
HAND TRUCKS

- A 5 year guarantee against weld failure. A Wesco quality exclusive.
- Industrial strength heavy duty schedule 40 pipe frame construction.
- Ribbed cross braces for extra strength.
- All joints double welded.
- 8" deep x 14" wide nose is 7 gauge thick plate with machined beveled edge and radiused corners for safety.
- Zinc plated Auto-Loc axles assure smooth wheel rotation.
- All frame handle 8" or 10" wheels.
- Orange enamel finish.
- Vinyl handle grips are standard on appropriate frames.

SERIES 146D

- Single "D" shaped handle combined with high back curved design.
- Easier one hand control of stacked goods.
- Four horizontal cross straps and vertical center strap provide support for small packages.

P/N 210038
 Model: 146D-R
 Capacity: 800 lbs
 Weight: 35 lbs
 Boxed: No
 Hub: Aluminum
 Dimensions: 8" x 1.625"
 Wheel Type: Moldon Rubber



PRINT ISSUED

DEC 29, 2006

WESCO MANUFACTURING
ENGINEERING DEPARTMENT

R W S APP

01-17-13

UPDATED

B

APP

EON & DATE

REV

REV

REVISIONS

WESCO MANUFACTURING CO.

NORTH WALES

PENNA. 19454

PART NAME

146D-R

DRAWN: LDU 8-3-00

CHECKED:

APP. ENGR.

SCALE: 8" = 1"

TOLERANCE UNLESS OTHERWISE SPECIFIED

FRACTION 3 PLACE DECIMAL 2 PLACE DECIMAL

± 1/64 ± .005 ± .01

ANGULAR ± 1-1/2' SHEET 1 OF 1

BREAK ALL SHARP EDGES AND REMOVE ALL BURRS

B- 210038

REV

B