

REPLACEMENT PARTS LIST

ITEM	PART NO.	DESCRIPTION	QTY.
1	150589	WHEEL: "Z" 10 X 2-3/4	2
2	050052	AXLE: "D" (19-7/8")	1
3	210099	24 FLD. NOSE W/HRDWARE	1
4	050045	PIVOT ROD (FN-24)	1
5	108232	RETAINING HOOK (FN-24)	1
6	108226	1 PLASTIC GRIP (BLACK)	2

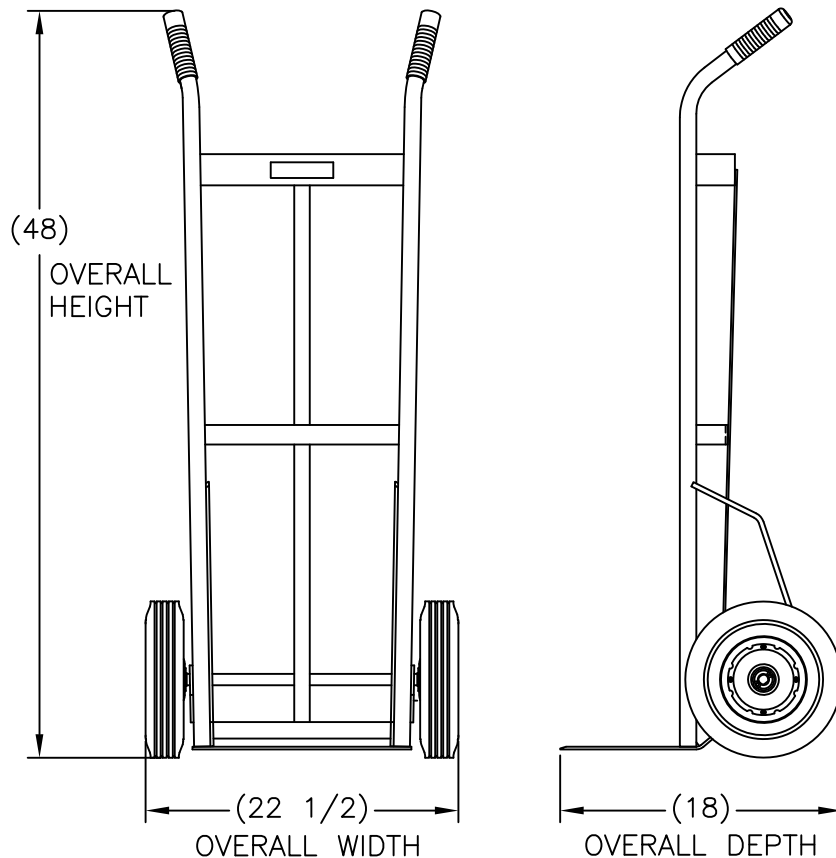
100 SERIES INDUSTRIAL
HAND TRUCKS

- A 5 year guarantee against weld failure. A Wesco quality exclusive.
- Industrial strength heavy duty schedule 40 pipe frame construction.
- Ribbed cross braces for extra strength.
- All joints double welded.
- 8" deep x 14" wide nose is 7 gauge thick plate with machined beveled edge and radiused corners for safety.
- Zinc plated Auto-Loc axles assure smooth wheel rotation.
- All frame handle 8" or 10" wheels.
- Orange enamel finish.
- Vinyl handle grips are standard on appropriate frames.

SERIES 136

- Two handle tapered body design.
- Three heavy duty horizontal cross straps for added strength.
- Full height center strap provides support for small packages.

P/N 210026
 Model: 136-Z
 Capacity: 700 lbs
 Weight: 41 lbs
 Boxed: No
 Hub: Steel Offset
 Dimensions: 10" x 2.75"
 Wheel Type: Semi-Pneumatic



PRINT ISSUED

jan 09, 2007

WESCO MANUFACTURING
ENGINEERING DEPARTMENT

R W S APP

01-16-13

UPDATED

C

APP

REV. EON & DATE

REV.

REV

REVISIONS

REV.

WESCO MANUFACTURING CO.

NORTH WALES

PENNA. 19454

PART NAME

136-Z

DRAWN: LDU 8-3-00

CHECKED:

APP. ENGR.

TOLERANCE UNLESS OTHERWISE SPECIFIED

FRACTION 3 PLACE DECIMAL 2 PLACE DECIMAL

± 1/64 ± .005 ± .01

ANGULAR ± 1-1/2" SHEET 1 OF 1

BREAK ALL SHARP EDGES AND REMOVE ALL BURRS

SCALE: 8" = 1"

B- 210026

REV

C