

## REPLACEMENT PARTS LIST

ITEM	PART NO.	DESCRIPTION	QTY.
1	108545	WHEEL, R, 8 X 1-5/8	2
2	210099	24 FLD. NOSE W/HRDWARE	1
3	050045	PIVOT ROD (FN-24)	1
4	108232	RETAINING HOOK (FN-24)	1
5	108226	1 PLASTIC GRIP (BLACK)	2
6	053528	AXLE: "D" 19"	1

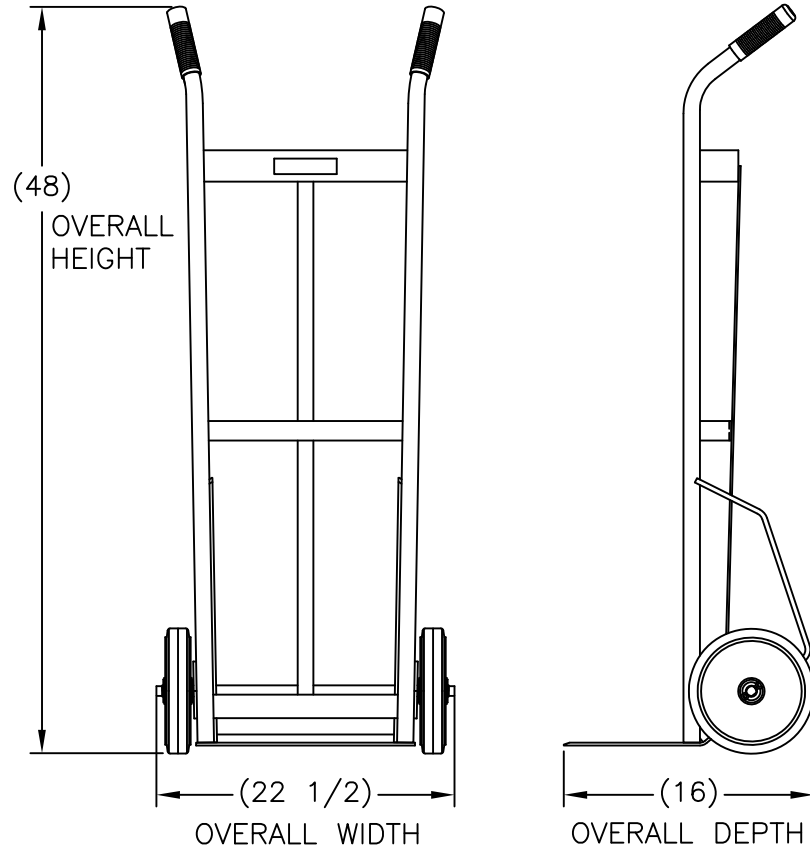
100 SERIES INDUSTRIAL  
HAND TRUCKS

- A 5 year guarantee against weld failure. A Wesco quality exclusive.
- Industrial strength heavy duty schedule 40 pipe frame construction.
- Ribbed cross braces for extra strength.
- All joints double welded.
- 8" deep x 14" wide nose is 7 gauge thick plate with machined beveled edge and radiused corners for safety.
- Zinc plated Auto-Loc axles assure smooth wheel rotation.
- All frame handle 8" or 10" wheels.
- Orange enamel finish.
- Vinyl handle grips are standard on appropriate frames.

## SERIES 136

- Two handle tapered body design.
- Three heavy duty horizontal cross straps for added strength.
- Full height center strap provides support for small packages.

P/N                    210024  
 Model:                136-R  
 Capacity:            800 lbs  
 Weight:               33 lbs  
 Boxed:                No  
 Hub:                    Aluminum  
 Dimensions:        8" x 1.625"  
 Wheel Type:        Moldon Rubber



PRINT ISSUED

JAN 09, 2007

WESCO MANUFACTURING  
ENGINEERING DEPARTMENT

R	W	S	APP
01-16-13			
A	UPDATED		

WESCO MANUFACTURING CO.		NORTH WALES		PENNA. 19454	
PART NAME			DRAWN: LDU 8-3-00		
136-R			CHECKED:		
TOLERANCE UNLESS OTHERWISE SPECIFIED			APP. ENGR.		
FRACTION		3 PLACE DECIMAL		2 PLACE DECIMAL	
± 1/64		± .005		± .01	
ANGULAR ± 1-1/2°		SHEET 1 OF 1		SCALE: 8" = 1"	
BREAK ALL SHARP EDGES AND REMOVE ALL BURRS			B- 210024		REV A