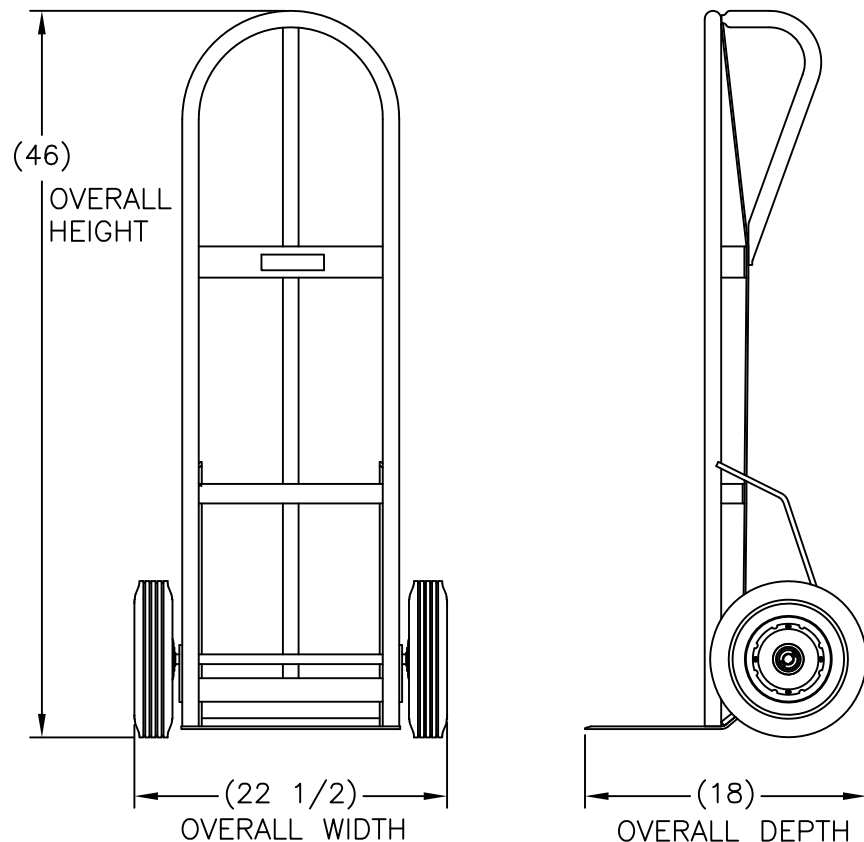


## REPLACEMENT PARTS LIST

ITEM	PART NO.	DESCRIPTION	QTY.
1	150589	WHEEL: "Z" 10 X 2-3/4	2
2	050052	AXLE: "D" (19-7/8")	1
3	210099	24 FLD. NOSE W/HRDWARE	1
4	050045	PIVOT ROD (FN-24)	1
5	108232	RETAINING HOOK (FN-24)	1

100 SERIES INDUSTRIAL  
HAND TRUCKS

- A 5 year guarantee against weld failure. A Wesco quality exclusive.
- Industrial strength heavy duty schedule 40 pipe frame construction.
- Ribbed cross braces for extra strength.
- All joints double welded.
- 8" deep x 14" wide nose is 7 gauge thick plate with machined beveled edge and radiused corners for safety.
- Zinc plated Auto-Loc axles assure smooth wheel rotation.
- All frame handle 8" or 10" wheels.
- Orange enamel finish.
- Vinyl handle grips are standard on appropriate frames.

## SERIES 126D

- Single "D" shaped handle allows multiple hand positions for one hand control.
- Ideal for boxes, kegs, and packages.
- Three horizontal cross straps and full height vertical center strap offer support for small packages.

P/N                    210018  
 Model:                126D-Z  
 Capacity:            700 lbs  
 Weight:              41 lbs  
 Boxed:                No  
 Hub:                  Steel Offset  
 Dimensions:        10" x 2.75"  
 Wheel Type:        Semi-Pneumatic

PRINT ISSUED

DEC 29, 2006

WESCO MANUFACTURING  
ENGINEERING DEPARTMENT

R W S APP

01-16-13

UPDATED

ECN &amp; DATE

REVISIONS

WESCO MANUFACTURING CO.

NORTH WALES

PENNA. 19454

PART NAME

126D-Z

DRAWN: LDU 8-3-00

CHECKED:

APP. ENGR.

SCALE: 8" = 1"

TOLERANCE UNLESS OTHERWISE SPECIFIED

FRACTION      3 PLACE DECIMAL      2 PLACE DECIMAL

± 1/64                    ± .005                    ± .01

ANGULAR ± 1-1/2'      SHEET 1 OF 1

BREAK ALL SHARP EDGES AND REMOVE ALL BURRS

B- 210018

REV

C