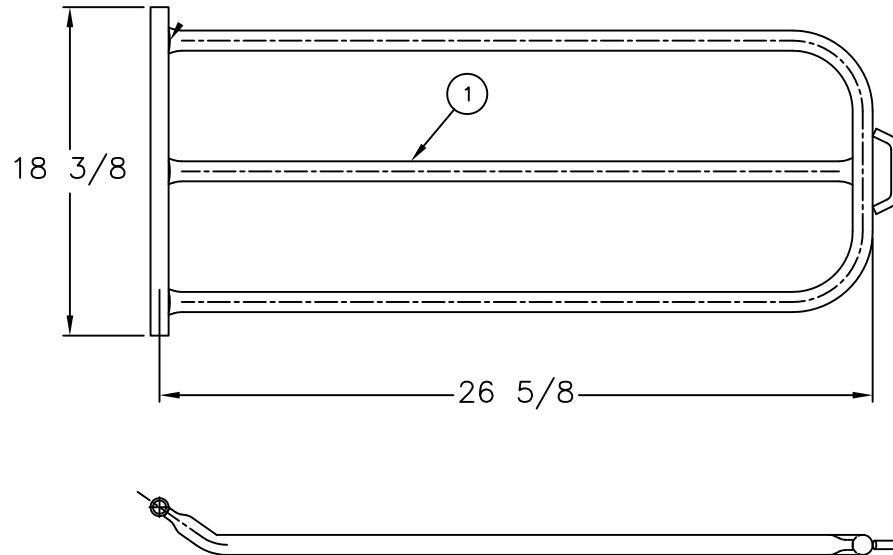


054218

REPLACEMENT PARTS LIST

ITEM	PART NO.	DESCRIPTION	QTY.
1	053316	WELDMENT: FRAME FN24	1
2	050047	PIVOT ROD	1
3	108431	COTTER PIN 3/32 X 1"	2
4	108232	RETAINING HOOK (FN-24)	1



- 24" Long, 10.5" Wide
- Steel Construction

THIS DRAWING IN ALL PARTICULARS IS WESCO INDUSTRIAL PRODUCTS INC. PROPERTY. ALL RIGHTS OF DESIGN, INVENTION OR USE OF ARE RESERVED.

REV.	EDN & DATE	REVISIONS	WESCO INDUSTRIAL PRODUCTS INC. NORTH WALES PENNA. 19454	
A	01-25-13	UPDATED	PART NAME FNG-24F Factory Installed	
			DRAWN:	
			CHECKED:	
			APP. ENGR.	
			SCALE:	
			B- 054218	
			REV	

WESCO INDUSTRIAL PRODUCTS INC.
NORTH WALES
PENNA. 19454

PART NAME
FNG-24F
Factory Installed

DRAWN:

CHECKED:

APP. ENGR.

SCALE:

TOLERANCE UNLESS OTHERWISE SPECIFIED

FRACTION	3 PLACE DECIMAL	2 PLACE DECIMAL
± 1/64	± .005	± .01

ANGULAR ± 1-1/2'	SHEET	OF	1
	1	1	

BREAK ALL SHARP EDGES AND REMOVE ALL BURRS