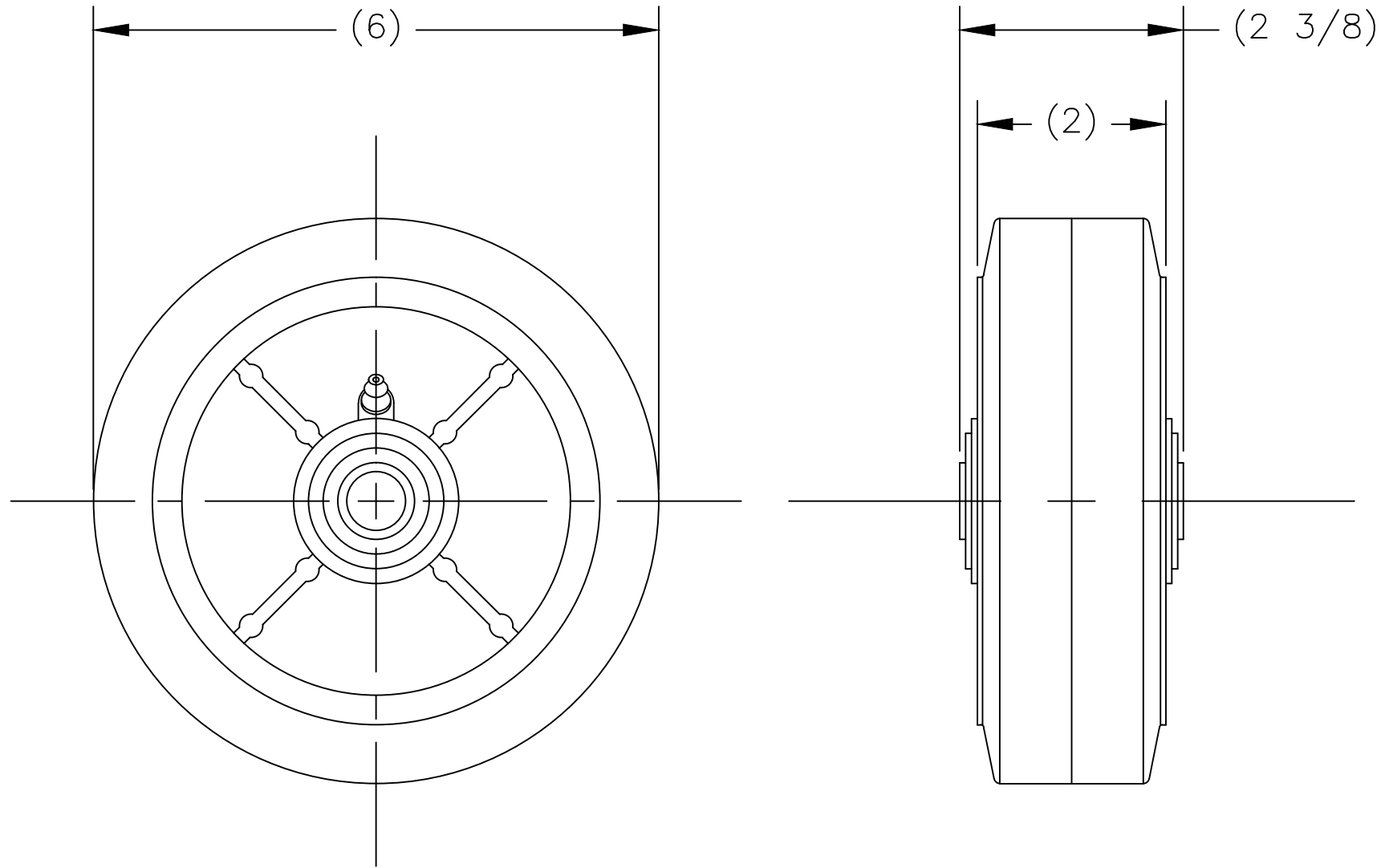


050567



Moldon Rubber Wheel

- Diameter: 6"
- Hub Type: Solid Aluminum
- Tread Width: 2"
- Hub length: 2.375"
- Bore Id: .625"
- Approx Weight: 2.5 lbs
- Bearing type: Ball
- Capacity: 500 lbs

THIS DRAWING IN ALL PARTICULARS IS WESCO MFGR. CO. PROPERTY. ALL RIGHTS OF DESIGN, INVENTION OR USE OF ARE RESERVED.

W E W		APP		WESCO MANUFACTURING CO.			
				LANSDALE		PENNA. 19446	
				PART NAME			
				TAIWAN 'A' WHEEL 6" DIA. WITH 5/8" BEARING			
				TOLERANCE UNLESS OTHERWISE SPECIFIED			
				FRACTION		3 PLACE DECIMAL	
				± 1/64		± .005	
						2 PLACE DECIMAL	
						± .01	
				ANGULAR ± 1-1/2'		SHEET 1 OF 1	
				BREAK ALL SHARP EDGES AND REMOVE ALL BURRS			
				DRAWN: WEW 2-6-98		CHECKED: PS 2-6-98	
				APP. ENGR.			
				SCALE: 1:2			
				A-050567		REV	B

W	E	W	APP
REVISIONS			
3751	2-6-98	ECN & DATE	
REDRAWN INTO CAD.			
B	REV.		